

White Collection

OBJECTS

2008

Marcel Wanders



Description

White Collection, three overscale objects by Marcel Wanders: a tall vase, a stool and a bowl in enamelled ceramic, also suitable for outdoor use.

Technical information

Frame

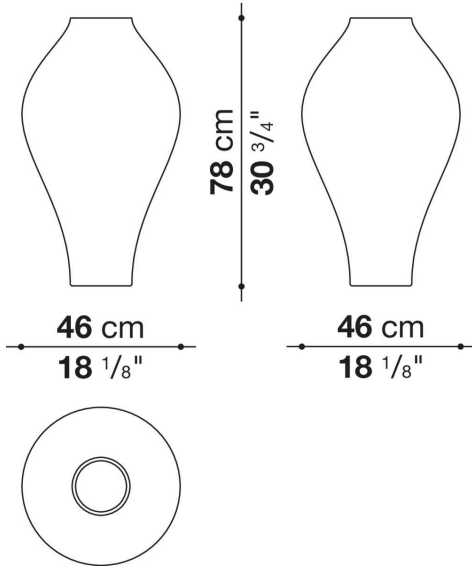
enamelled ceramic

Colour

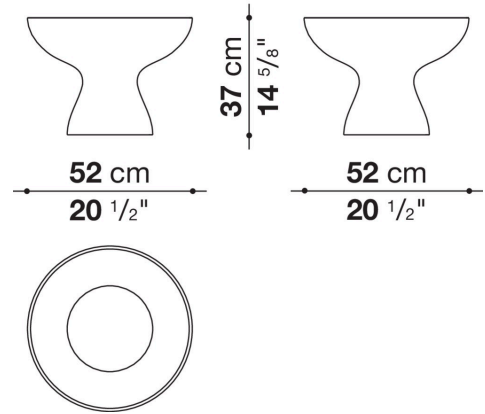
white

Technical drawings

AB20046B



AB20047B



AB20048B

