

Ac Executive

TABLES

2007

Antonio Citterio



Description

A complete range of wooden furniture designed to furnish executive offices and meeting rooms with great elegance, but also to solve home office needs. The series includes storage units, sideboards, bookcases, meeting tables and writing-desks. There are also solutions for wiring management, storage units with lockable drawers for suspended filing and wardrobe use containers.

Technical information

Top (ACE9-ACE10-ACE11-ACE19)

solid wood, veneered wood particles panel

Top (ACE12-ACE13-ACE14)

plywood panel with honeycomb-core and veneered MDF wood fibre

Top (ACE20)

veneered wood particles panel

Support frame and crosspiece

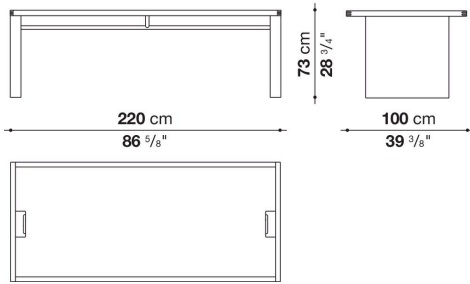
drawn steel

Adjustable feet

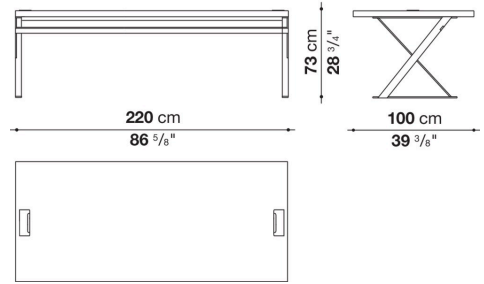
steel and plastic material

Technical drawings

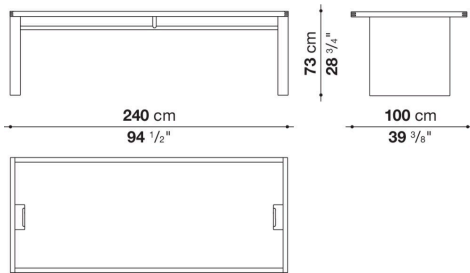
ACE9



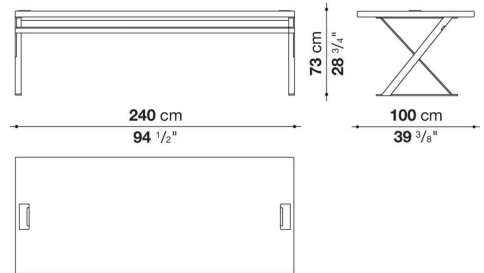
ACE13



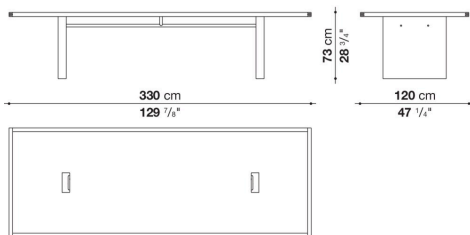
ACE19



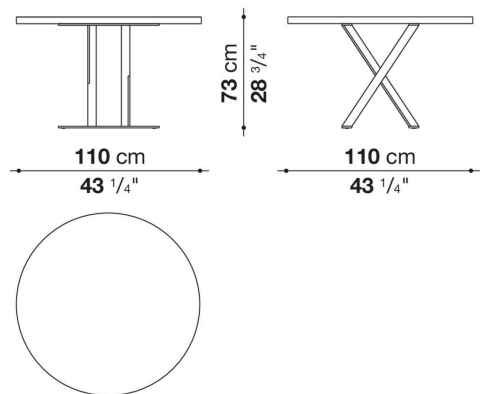
ACE15



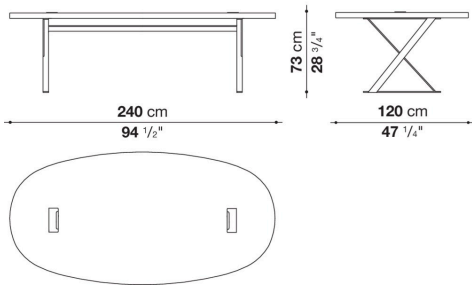
ACE10



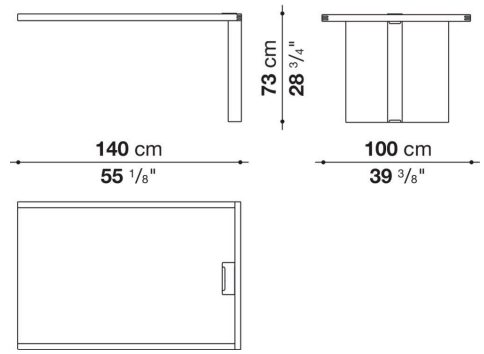
ACE20



ACE14



ACE11



ACE12

