

Planck

SMALL TABLES

2022

Piero Lissoni



Description

Planck is a family of three small round tables designed by Piero Lissoni, united by shape and materials, but unique in character and personality. The structure gently widens as it descends from the top to the base, creating an elegant truncated cone shape. They have etched semi-transparent glass tops and lacquered bases that can be chosen from a number of satin or gloss colours, or with a sophisticated rosewood-effect finish. For each of the Planck coffee tables we notice a precise play of proportions; as the diameter widens the height decreases, creating a dynamic panorama. Thus, one can choose a large low coffee table, a medium version or a small service table. The latter holds a surprise as it is a version with a backlit top. A dedicated app will make it possible to adjust the intensity and warmth of the LED light, transforming it into an element capable of creating a pleasant atmosphere in the most diverse environments.

Technical information

Platte

Glas halbtransparent geätzt gehärtet

Außengestell

gebogen aus Pappelschichtholz, MDF Holzfaser, geschichtet furniert oder harte Polyurethan

Innengestell

Spanholz mit Melaminbeschichtung

Gleiter

Kunststoff

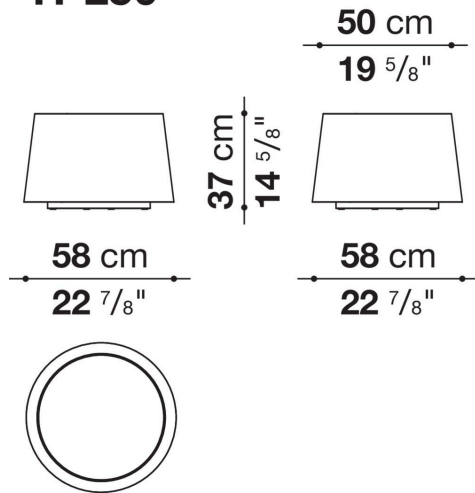
LED-Innenbeleuchtung (TPL50_L)

Strip LED 24V DC von 3000K bis 5000K

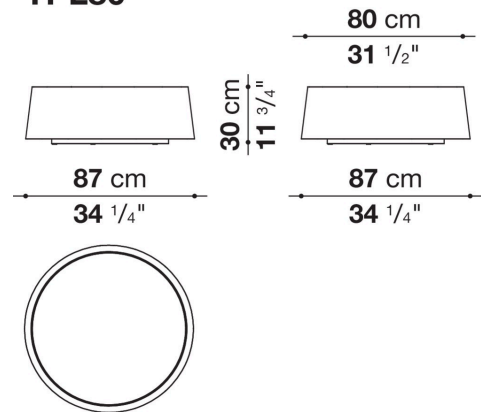
- Stromversorgung mit Bluetooth-Steuereinheit: Eingangsspannung 110-240V 50-60Hz, Ausgangsspannung 24V DC, Höchstleistung 18W

Technical drawings

TPL50



TPL80



TPL120

