

Overscale Flames

OBJECTS

2007

Jean-Marie Massaud



Description

Large oil candles made of high density polyurethane resin (Baydur®) with a black painted metallic frame. Available in two sizes.

Technical information

Material

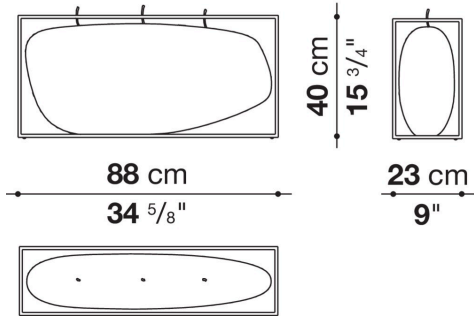
structure in metal profiles, shell in high density polyurethane resin (Baydur®), anodized aluminium nozzles

Colour

black

Technical drawings

AB20043N



AB20044N

