

Gold Collection

OBJECTS

2007

Marcel Wanders



Description

Gold Collection, three oversize objects by Marcel Wanders: a tall vase, a stool and a bowl, all in ceramic covered in gold leaf. Icons of luxury not without a certain sense of humour.

Technical information

Material

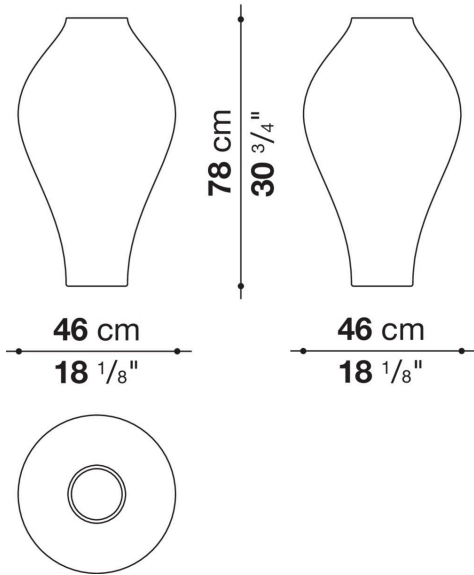
enamelled ceramic

Colour

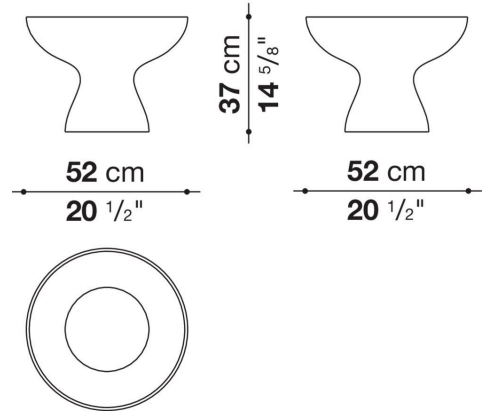
gold foil

Technical drawings

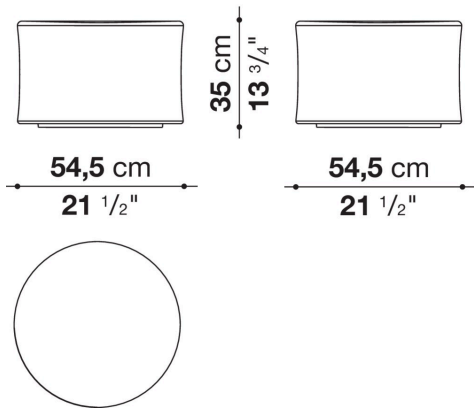
AB20046N



AB20047N



AB20048N



AB20049N

