

# Bunch

OBJECTS

2005

Naoto Fukasawa



## Description

---

The Bunch vase, available in black and white ceramic, looks like a bunch of flowers, with the stems gathered together as if it were the perfect bouquet. It is an ironic combination of a container and its contents inspired by the oriental art of ikebana, in which flowers and other elements of natural origin are arranged to form elegant compositions.

## Technical information

---

**Material**

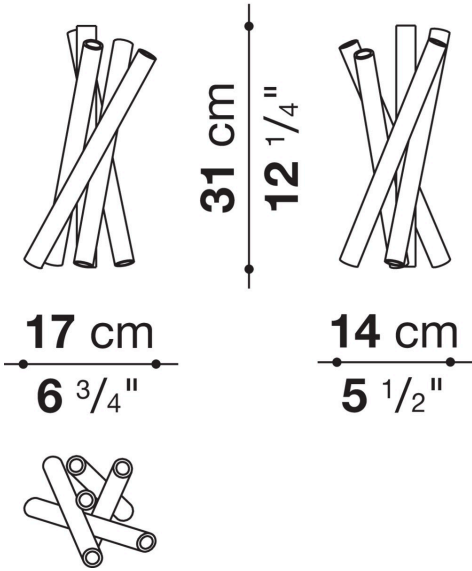
glossy ceramic

**Colour**

white or black

# Technical drawings

## AB20030



## AB20031

