

Cosmos

SMALL TABLES

2006

Jeffrey Bernett



Description

Cosmos is a round small table available in two top sizes. The spoke frame in aluminium combines with tops in laminate or in oak in a variety of finishes. Harmoniously minimalist, this versatile small table is suitable both in the home and in the contract furniture industry.

Technical information

Top

solid core HPL stratified laminate or multi-layered wood panel, multi-laminate surface

Support frame

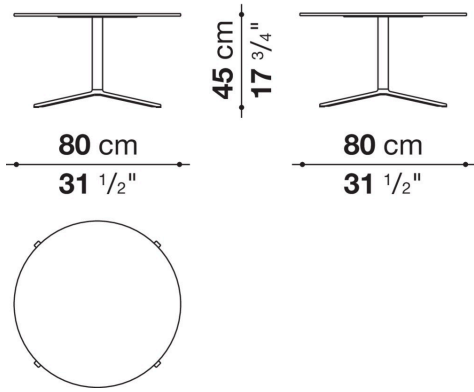
die-cast aluminium and extrusions

Ferrules

thermoplastic material

Technical drawings

CST0804R



CST0504R

