

Sina

TABLES

2006

Uwe Fischer



Description

The Sina tables in two versions, round and square, are harmonious, minimal and can be approached with each other. They can be matched up to Sina and Iuta chairs, they easily adapt to different uses both domestic and contract.

Technical information

Top

solid core HPL stratified laminate or multi-layered wood panel, multi-laminate surface

Support frame

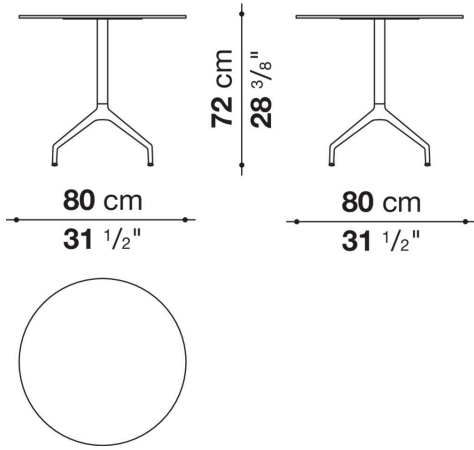
die-cast aluminium and extrusions

Ferrules

thermoplastic material

Technical drawings

ST0807R



ST0807Q

