

---

# Overscale Flames Outdoor

OBJECTS

2008

Jean-Marie Massaud



## Description

---

Large oil candles in high density polyurethane resin (Baydur®) with a metallic frame matt painted.

## Technical information

---

**Frame**

metal profiles

**Shell**

high density polyurethane resin (Baydur®)

**Nozzles**

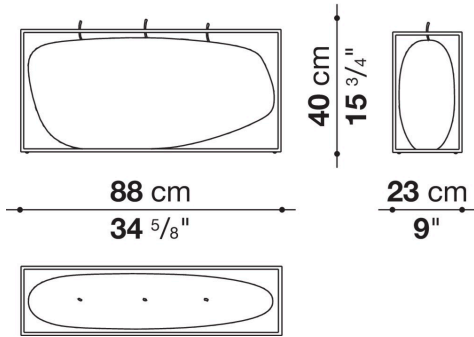
anodized aluminium

**Colour**

white

# Technical drawings

**AB20043B**



**AB20044B**

