

---

# Oh, it rains!

ARMCHAIRS

2020

Philippe Starck



## Description

---

The Oh, it rains! armchair, conceived for outdoor use, is characterised by an extremely elegant design that adapts perfectly to any environment, both public and private. The first thing that strikes you about this armchair is the large backrest, which naturally creates a cosy, protective space, and that also boasts impeccable ergonomics. Form and function come together quickly and effectively, allowing the back to fold down on top of the seat so as to protect it in the event of rain or bad weather. Oh, it rains! combines timeless elegance with utmost comfort and an innovative design – technology at the service of quality, intelligence and exceptional comfort. Oh, it rains! also includes a sofa with the same characteristics.

## Technical information

---

**Frame**

aluminium

**Upholstery**

shaped polyurethane of different density, cover in water repellent polyester fibre

**Top (TOH1)**

Mediterranean stone

**Ferrules**

plastic material

**Waterproof cover cloth**

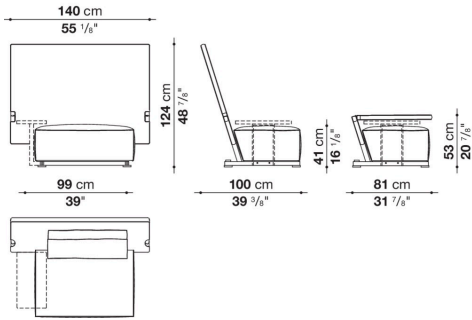
PES fabric coated on one side in PU

**Cover**

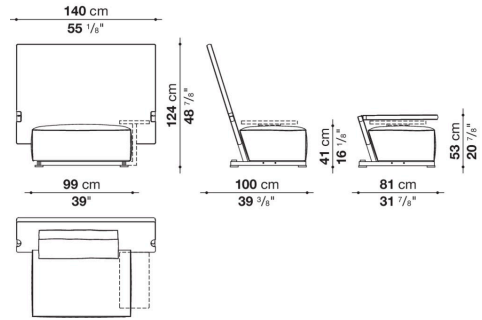
fabric in limited categories

# Technical drawings

**OH140PS**



**OH140PD**



**TOH1**

