

Hospes

POUF

2020

B&B Italia Cr&S



Description

Hospes is an extremely versatile ottoman, a dynamic complement that can be used in different ways and that goes perfectly with different product families. Made in two sizes and three colours, it has a sturdy aluminium frame covered with a polyethylene fibre interlacing. In the upper part, the interlacing is held up by webbing that provides support and comfort.

Technical information

Internal frame

tubular aluminium and aluminium profiles

Upholstery

shaped polyurethane

Interlacing

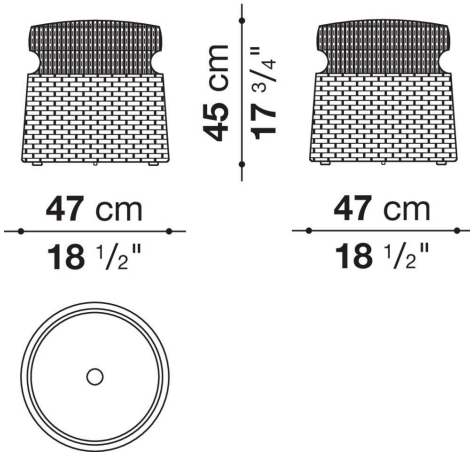
polypropylene fibre braid

Ferrules

thermoplastic material

Technical drawings

HE2



HE1

