

Flair O'

SEDIE

2021

Monica Armani



Description

Flair O' is a small domestic throne, a chair that matches the Allure O' table perfectly. The two objects establish a dialogue starting from their bases. Both pieces sit atop a truncated pyramid with rounded edges to reconcile the concepts of elegance and charm. The base widens gently on the back side as it nears the floor. It becomes almost unnoticeable and provides great stability without interfering with the harmony of the design. A padded seat provides necessary comfort. Moreover, the accentuated tilt of the backrest and its enveloping shape help people relax without compromising the ideal posture to adopt when interacting with others elegantly around a dining table. Furthermore, the chair is equipped with a swivel mechanism with an automatic return. The fabric cover embraces Flair O' like a tailored suit, covering it completely from the seat to the base.

Technical information

Internal frame

tubular steel and steel profiles

Internal frame upholstery

Bayfit® flexible cold shaped polyurethane foam, polyester fibre cover

Swivel mechanism (SF60M)

steel laminate and aluminium extrusion, automatic return mechanism

Ferrules

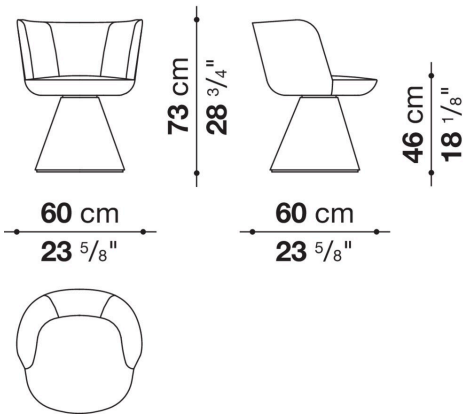
thermoplastic material

Cover

fabric

Technical drawings

SF60F



SF60M

