
Planck

TAVOLINI

2022

Piero Lissoni



Description

Planck is a family of three small round tables designed by Piero Lissoni, united by shape and materials, but unique in character and personality. The structure gently widens as it descends from the top to the base, creating an elegant truncated cone shape. They have etched semi-transparent glass tops and lacquered bases that can be chosen from a number of satin or gloss colours, or with a sophisticated rosewood-effect finish. For each of the Planck coffee tables we notice a precise play of proportions; as the diameter widens the height decreases, creating a dynamic panorama. Thus, one can choose a large low coffee table, a medium version or a small service table. The latter holds a surprise as it is a version with a backlit top. A dedicated app will make it possible to adjust the intensity and warmth of the LED light, transforming it into an element capable of creating a pleasant atmosphere in the most diverse environments.

Technical information

Top

tempered semi-transparent etched glass

External frame

curved in poplar plywood, MDF wood fibre, multi-laminate veneer or hard polyurethane

Internal frame

wood particles with melamine faced cover

Ferrules

plastic material

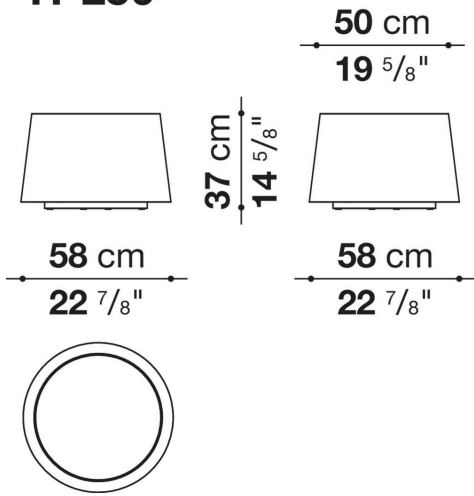
LED lighting system (TPL50_L)

Strip LED 24V DC from 3000K to 5000K

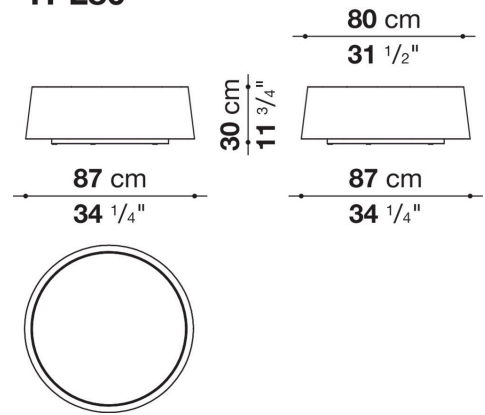
- Power supply with bluetooth control unit: input voltage 110-240V 50-60Hz, output voltage 24V DC, maximum wattage 18W

Technical drawings

TPL50



TPL80



TPL120

