

# Mart

ARMCHAIRS

2003

Antonio Citterio



## Description

---

A comfortable hollow shape, in two sizes, that stands on a series of bases that create the overall character. The combination of these elements produces a family of armchairs with strong personality. At the origin of all of them, a long experimentation centred on the production technology of thermoformed leather, starting from a plastic shell that is inserted into a mould for the cold foaming of polyurethane, with the result of obtaining elasticity and comfort.

## Technical information

---

**Internal frame**

glass fibre shell

**Internal frame upholstery (thick leather and leather version)**

Bayfit® flexible cold shaped polyurethane foam

**Internal frame upholstery (upholstered version)**

Bayfit® flexible cold shaped polyurethane foam, shaped polyurethane, polyester fibre cover

**Cross-shaped swivel base-frame**

steel laminate and aluminium extrusions

**Support frame (MPRN\_1-MPRI\_1)**

tubular steel and steel profiles

**Swivel base-frame (MPGL-MPGIL)**

steel profiles, solid wood

**Headrest (MPRP)**

polyester fibre, cotton cover, counterweight in anodized aluminium and steel

**Ferrules**

thermoplastic material

**Cover (thick leather and leather version)**

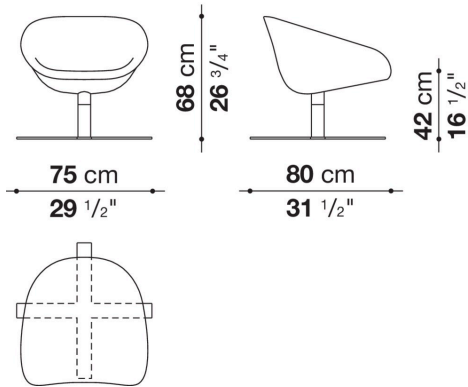
thick leather or leather in limited categories

**Cover (upholstered version)**

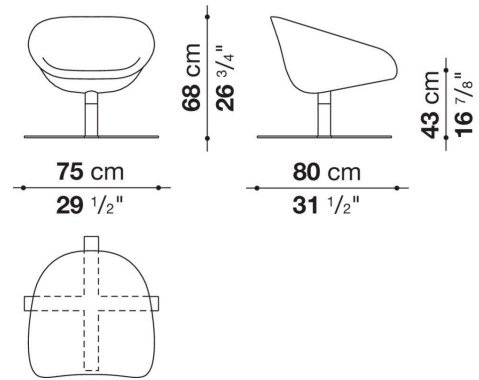
fabric in limited categories

# Technical drawings

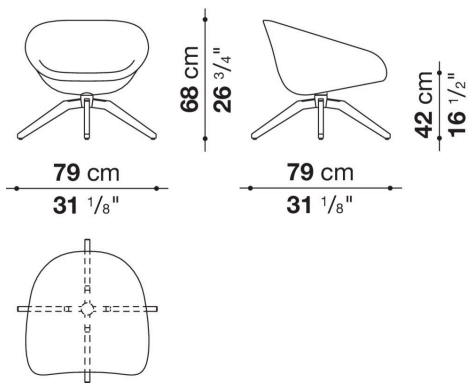
**MPG**



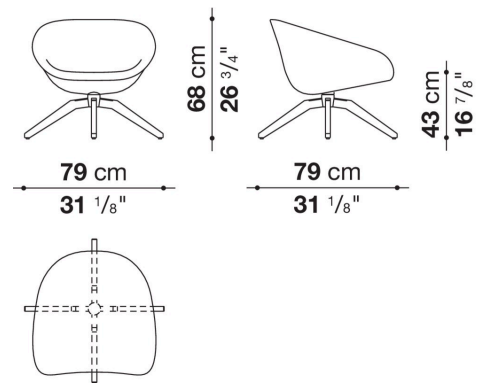
**MPGI5**



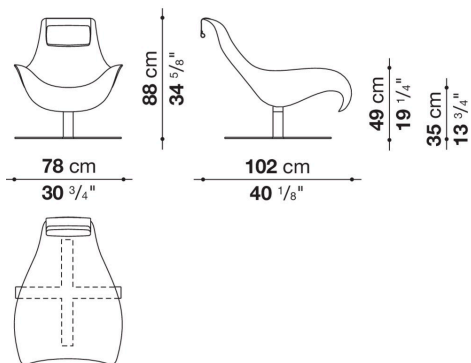
**MPGL**



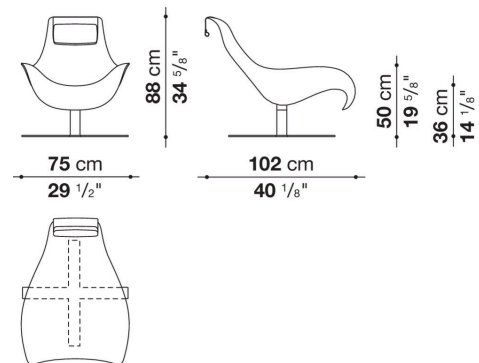
**MPGIL**



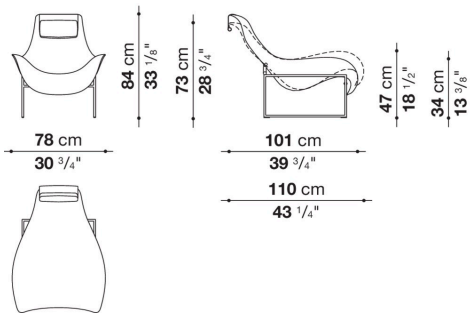
**MPRN**



**MPRI**



**MPRN\_1**



**MPRI\_1**

