

# Jens

SEDIE

2017

Antonio Citterio



## Description

---

Jens is a collection of chairs – with or without armrests – and stools featuring a typical 1950s style yet also interpreting classical Chinese chairs in a contemporary key. Rediscovering the craftsmanship of turned and curved wood, the result is a five-axis frame in a variety of wood finishes. Jens collection includes numerous versions: entirely in wood, with wooden frame and leather seat, with wooden frame and thick leather seat and back, with wooden frame and seat in woven cellulose rope.

## Technical information

---

**Seat**

shaped polyurethane and veneered multi-layered wood panel

**Seat (SJ61PA-SJ41PA)**

cellulose rope interlacing

**Frame**

solid wood

**Ferrules and reinforcements**

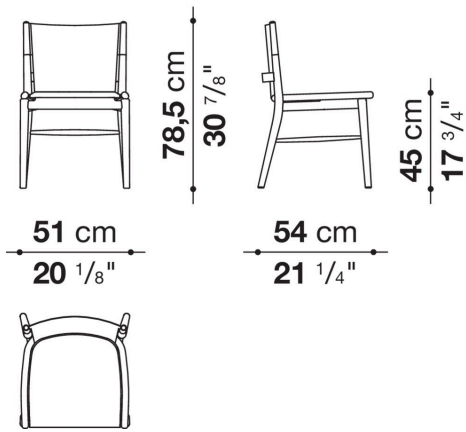
plastic material

**Cover**

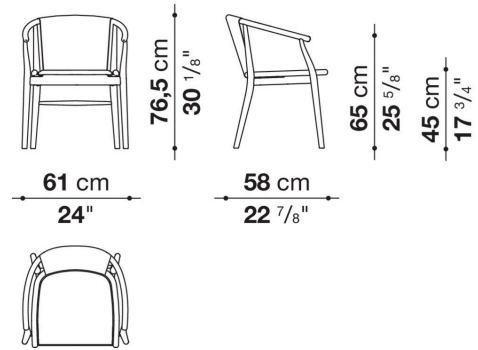
thick leather

# Technical drawings

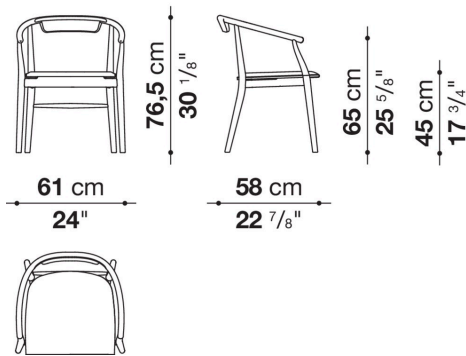
## SJ51B



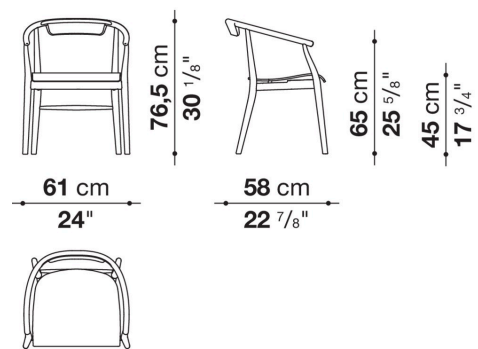
## SJ61B



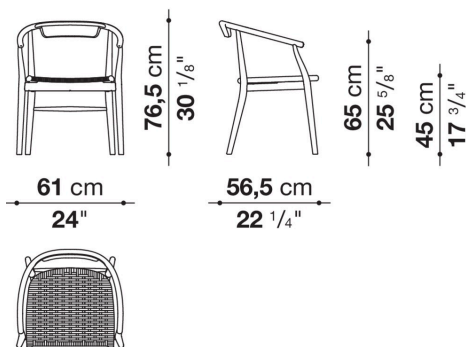
## SJ61



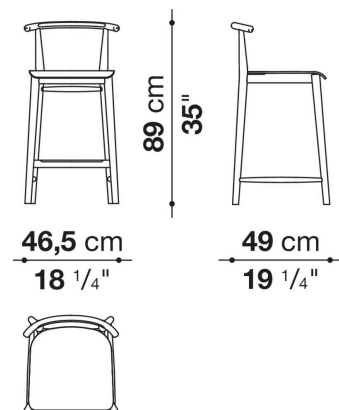
## SJ61L



## SJ61PA

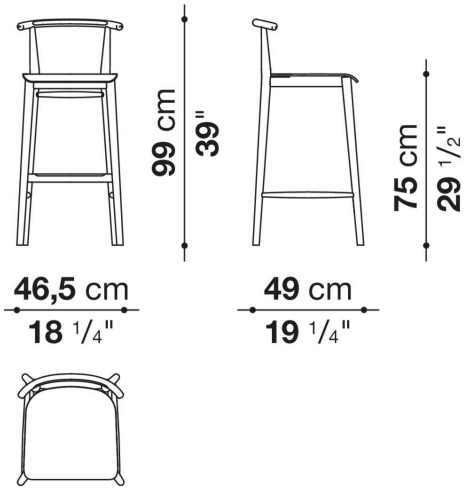


## SJ41L\_B

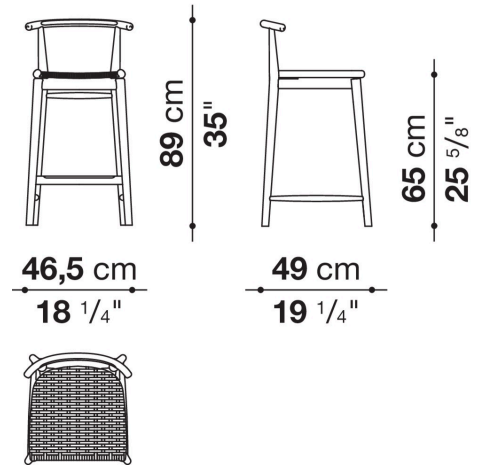




### SJ41L\_A



### SJ41PA\_B



### SJ41PA\_A

