

Michel Effe

SOFAS

2015

Antonio Citterio



Description

A seating system comprising of several elements, Michel Effe is an evolution of Michel that stands out for its essential style. This variety in the product range, available in two depths, makes it possible to organise different types of in-line and modular compositions, from formal to casual. From the point of view of style, it features a rigorous design in the base-frame and in the seat with a single cushion. More essential than its predecessors yet no less comfortable, in Michel Effe everything superfluous has been removed.

Technical information

Back and armrest internal frame

tubular steel and steel profiles

Back and armrest internal frame upholstery

Bayfit® flexible cold shaped polyurethane foam, polyester fibre, polyester fibre cover

Seat internal frame

tubular steel and steel profiles, multi-layered wood panel, shaped polyurethane

Seat cushion upholstery

shaped polyurethane of different density, sterilized down, polyester fibre cover

Back cushion (MF65C-MF50C)

down feather and polyurethane section, box style typology

Back cushion with roller (MF65CP-MF50CP)

down feather, polyurethane section and polyester fibre, box style and roller typology

Support (FA-FB)

visco-elastic polyurethane, polyester fibre cover

Support frame

die-cast aluminium and extrusions

Ferrules

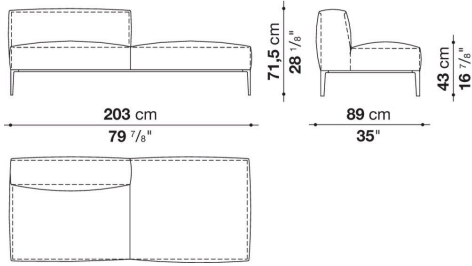
thermoplastic material

Cover

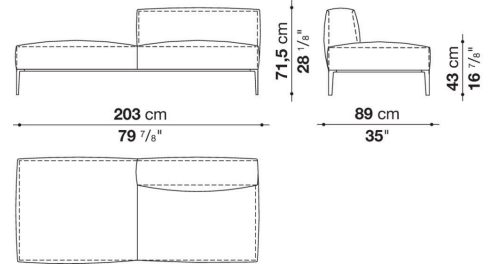
fabric or leather

Technical drawings

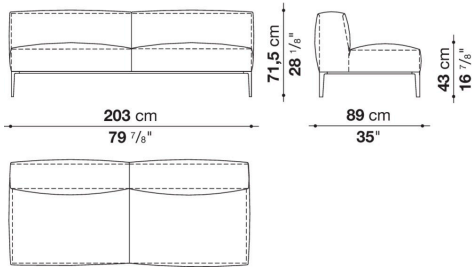
9MF206PS



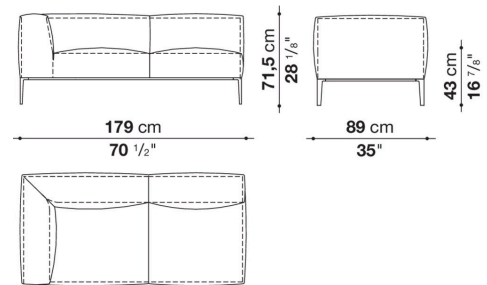
9MF206PD



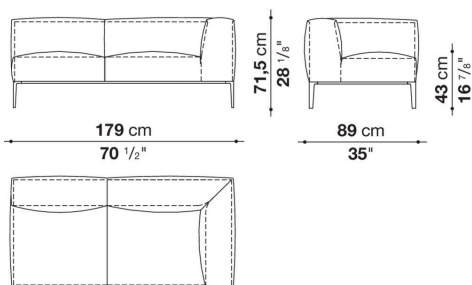
9MF206P2



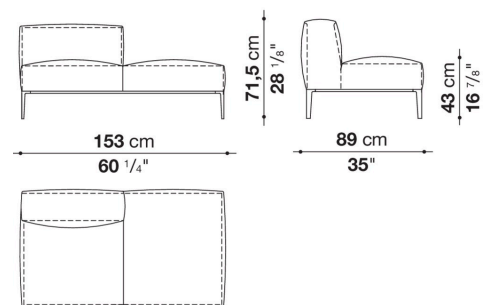
9MF182TS



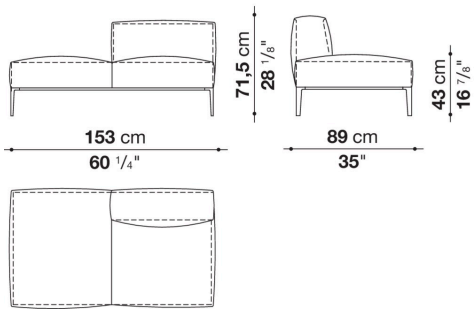
9MF182TD



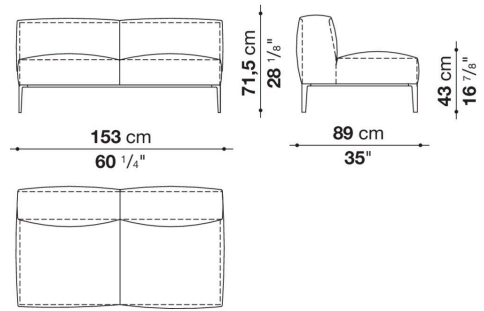
9MF156PS



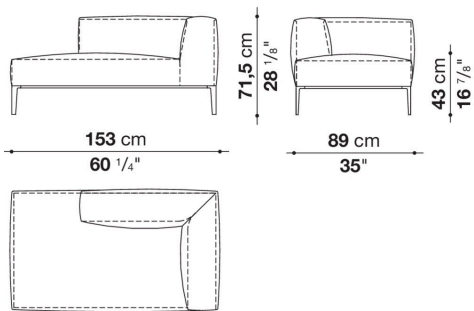
9MF156PD



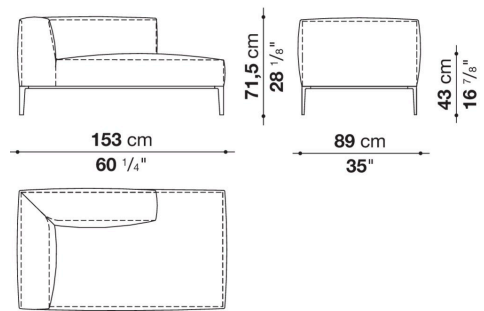
9MF156P2



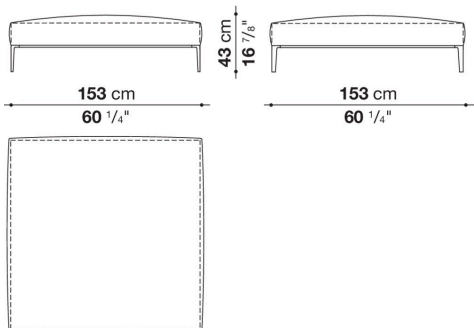
9MF156CHS



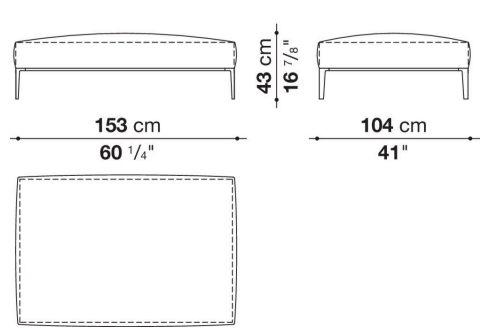
9MF156CHD



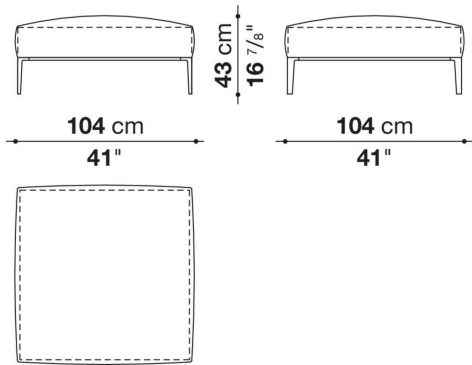
MF156PQ



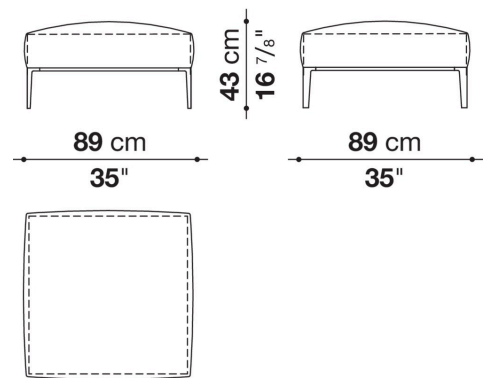
MF156P



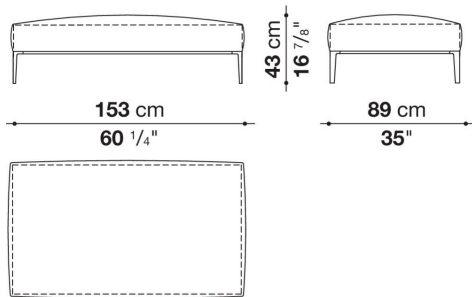
MF106PQ



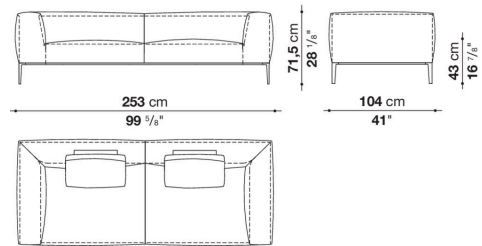
9MF91PQ



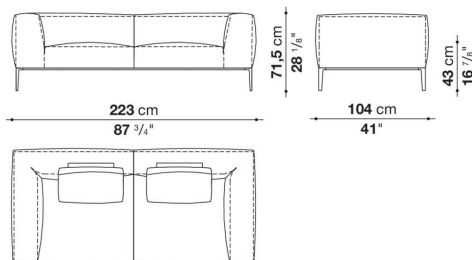
9MF156P



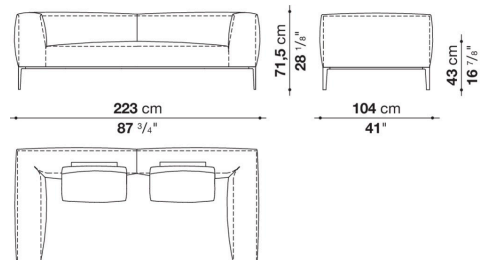
MF256



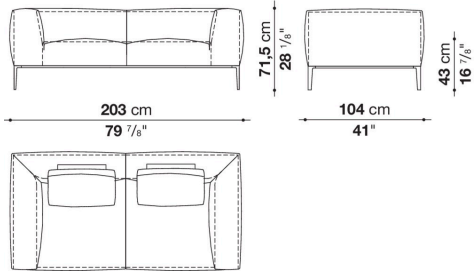
MF226_2



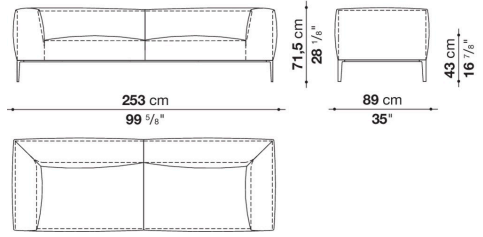
MF226_1



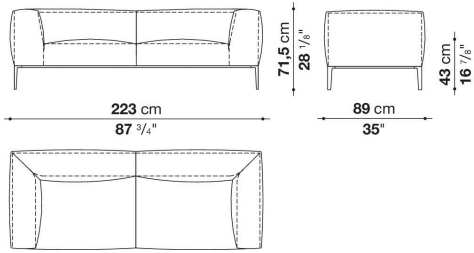
MF206



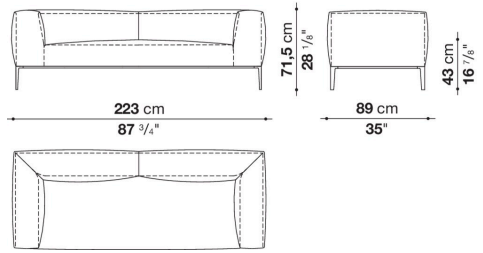
9MF256



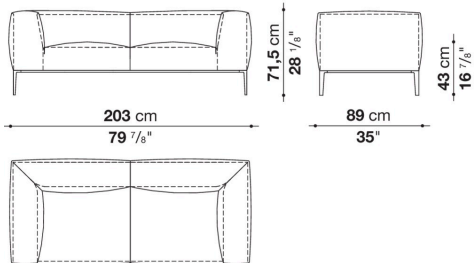
9MF226_2



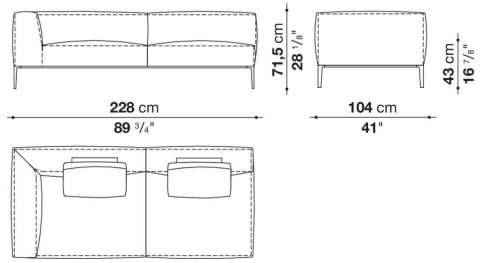
9MF226_1



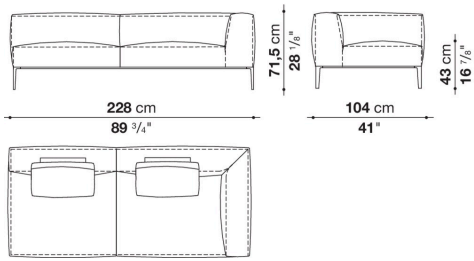
9MF206



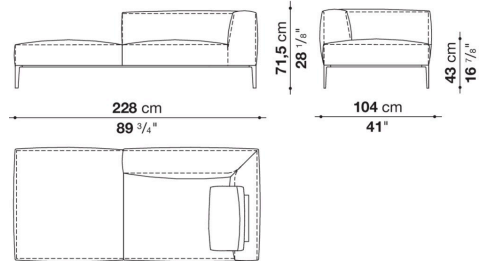
MF231TS



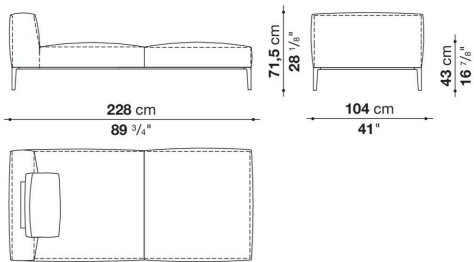
MF231TD



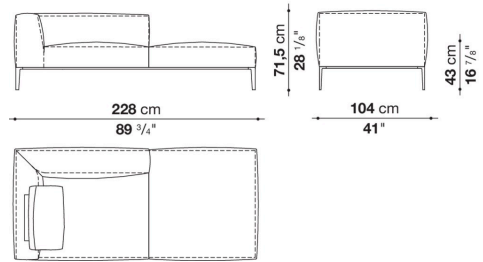
MF231CHS



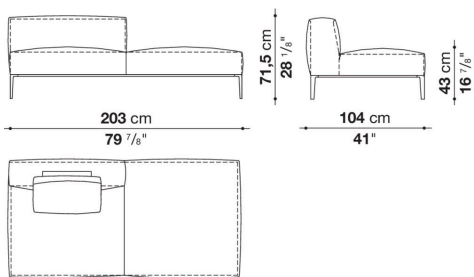
MF231CH



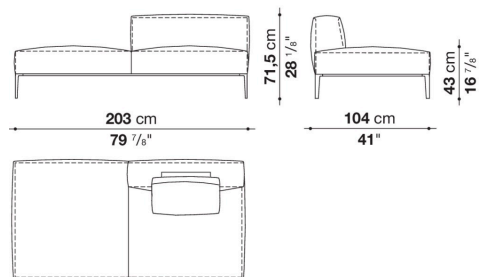
MF231CHD



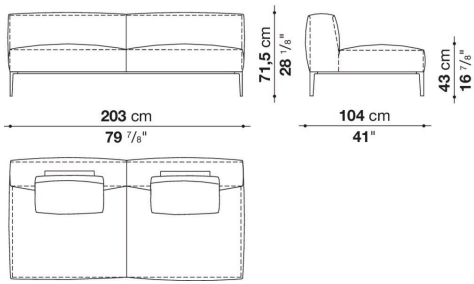
MF206PS



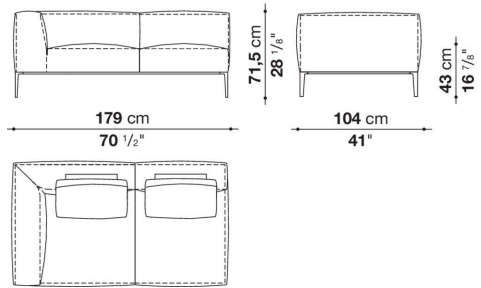
MF206PD



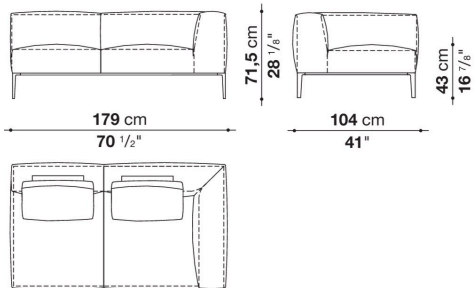
MF206P2



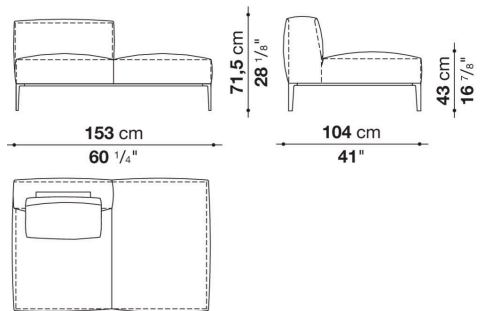
MF182TS



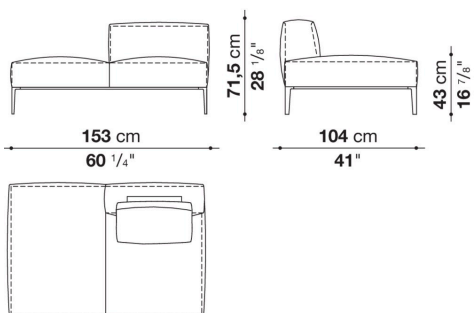
MF182TD



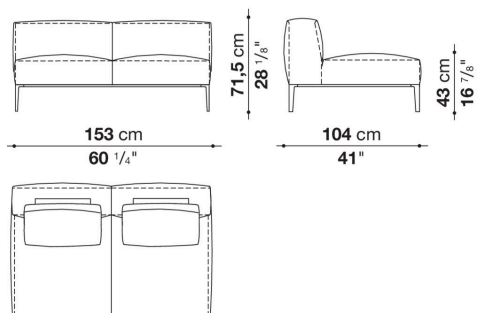
MF156PS



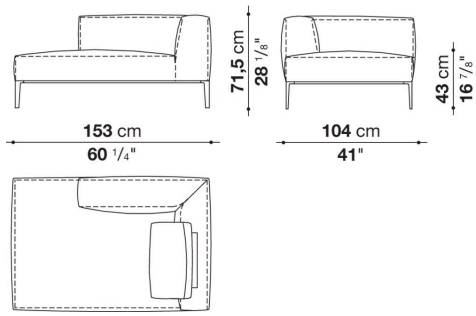
MF156PD



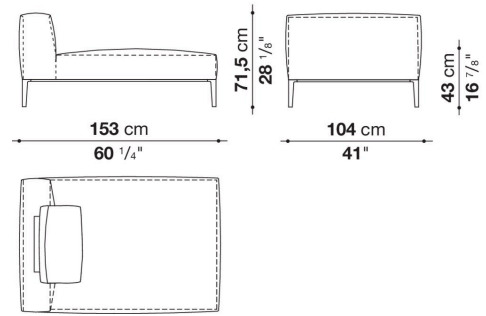
MF156P2



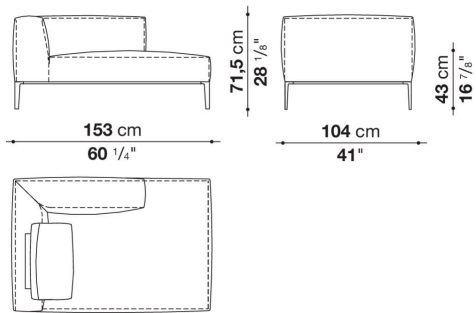
MF156CHS



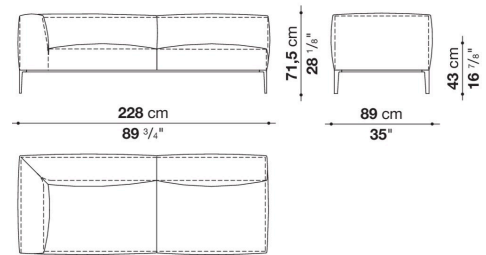
MF156CH



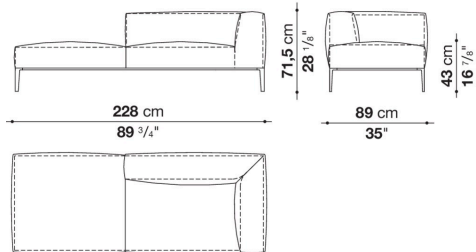
MF156CHD



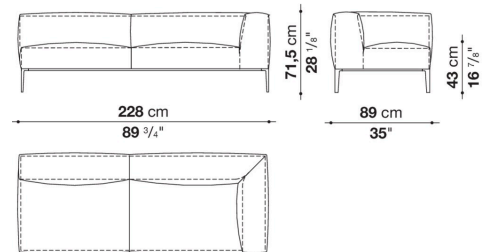
9MF231TS



9MF231CHS



9MF231TD



9MF231CHD

