

---

# Papilio Shell

SEDIE

2015

Naoto Fukasawa



## Description

---

Forming part of the iconic seating collection of the same name, the Papilio Shell chair comes either with a shell entirely in polypropylene or with a shell padded and covered in fabric. The base comes in two versions: with four steel or wooden legs. The shape of the back of Papilio Shell calls to mind the multicoloured wings of a butterfly ready to take flight. It is this detail that inspired the name, “papilio” being the Latin term for butterfly.

## Technical information

---

### Shell

polypropylene

### Shell upholstery (PSH1-PSH2)

shaped polyurethane, polyester fibre

### Support frame (SH1-PSH1)

steel profiles

### Legs (SH2-PSH2)

solid wood

### Double-side ferrules

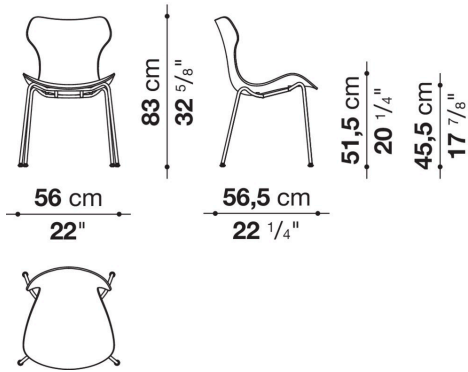
plastic material, felt

### Cover (PSH1-PSH2)

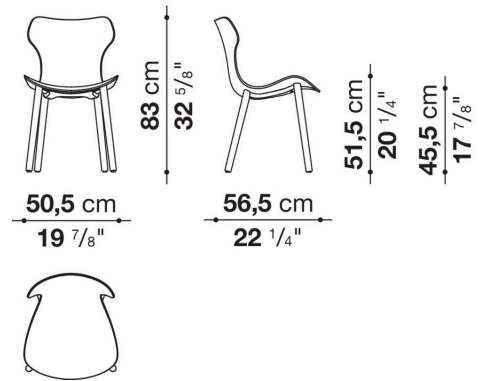
fabric in limited categories

# Technical drawings

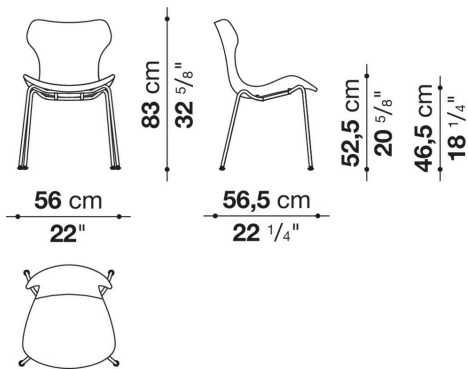
## SH1



## SH2



## PSH1



## PSH2

