

Pianura

TAVOLINI

2019

Antonio Citterio



Description

Square or rectangular, the Pianura low table stands out for the essential and sophisticated features that give life to a proposal of great formal elegance. With marble top and aluminium structure, it is also available with a thick leather tray integrated into the top. Numerous are the finishes to choose from both for the top and for the structure.

Technical information

Top

marble

Tray (PN180_2V-PN130Q_V)

aluminium sheet covered in thick leather

Support frame

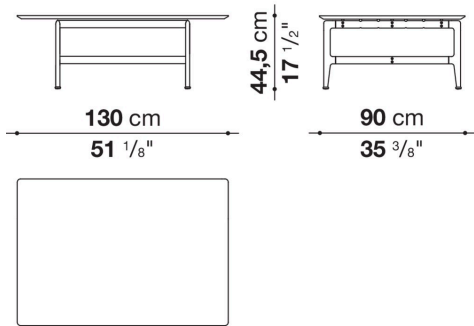
die-cast aluminium and extrusions

Ferrules

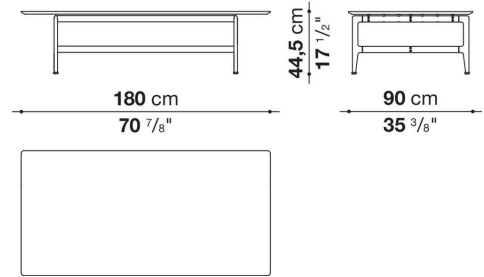
plastic material

Technical drawings

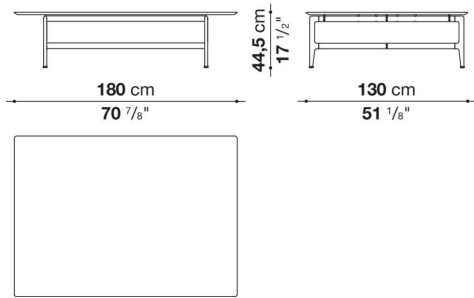
PN130



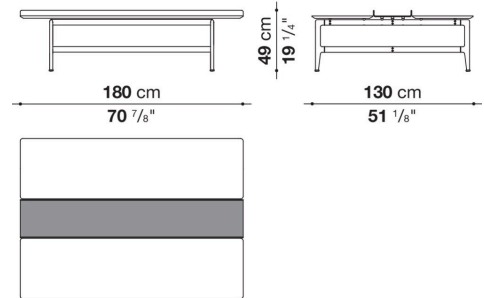
PN180_1



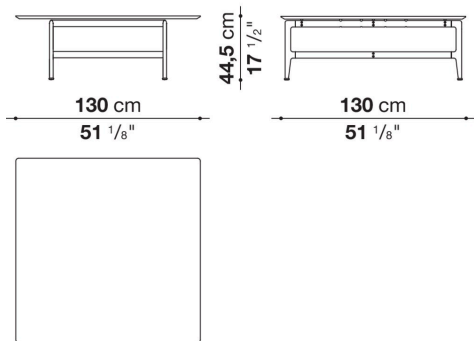
PN180_2



PN180_2V



PN130Q



PN130Q_V

