
Richard

LETTI

2017

Antonio Citterio



Description

The Richard bed is available in different sizes, upholstered either in fabric or in leather. The design is defined by high sides running along the perimeter and by the sartorial detail of the seams with the insertion of a prominent profile. The height of the lateral bed sides makes it possible to use any type of mattress support, from traditional fixed ones to those with a manual headboard and footboard mechanism.

Technical information

Internal frame

tubular steel and steel profiles

Internal frame upholstery

Bayfit® flexible cold shaped polyurethane foam, polyester fibre

Feet

tubular steel and steel profiles

Ferrules

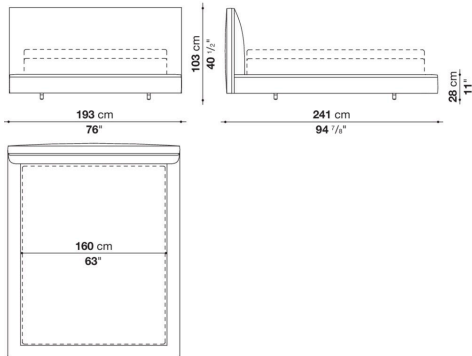
thermoplastic material

Cover

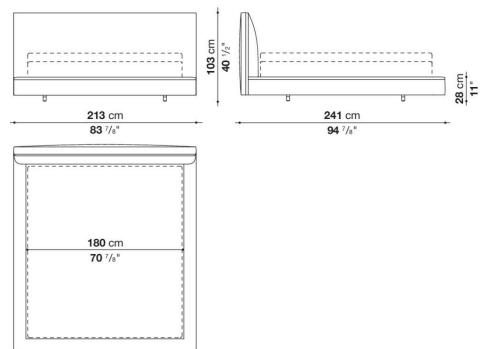
fabric or leather (plastic material profiles)

Technical drawings

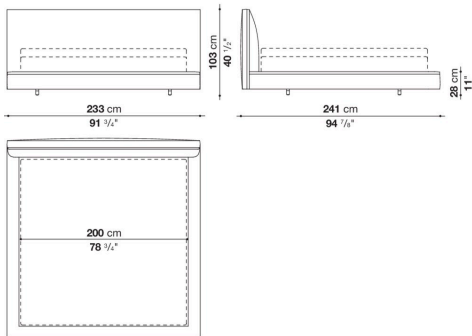
LRA160



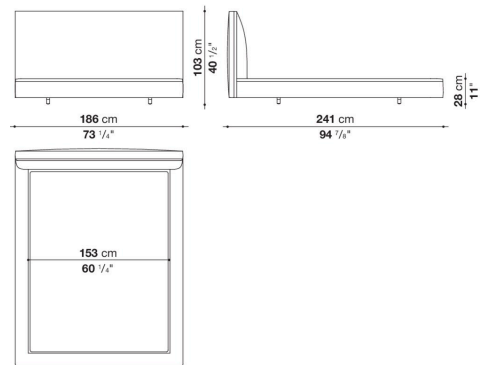
LRA180



LRA200



LRA153



LRA193

