

Frank

POUF

2015

Antonio Citterio



Description

Small additional seats or decorative elements, the Frank ottomans are available in two versions: with a high round cushions and steel structure in various finishes, or fully upholstered. For both types, the upholstery is available in fabric or leather.

Technical information

Frame (FP40)

steel profiles

Upholstery (FP40)

multi-layered wood panel, shaped polyurethane, polyester fibre cover

Internal frame (F58P)

tubular steel and steel profiles

Internal frame upholstery (F58P)

Bayfit® flexible cold shaped polyurethane foam, polyester fibre cover

Ferrules (FP40)

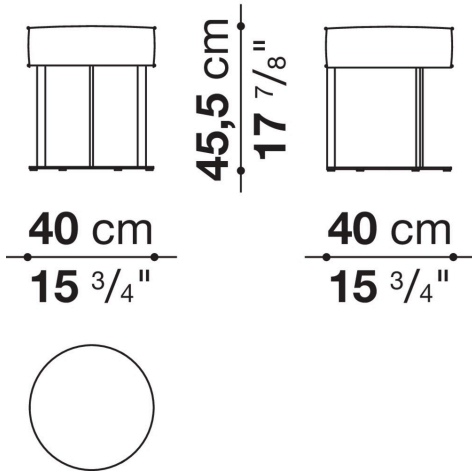
plastic material

Cover

fabric or leather

Technical drawings

FP40



F58P

