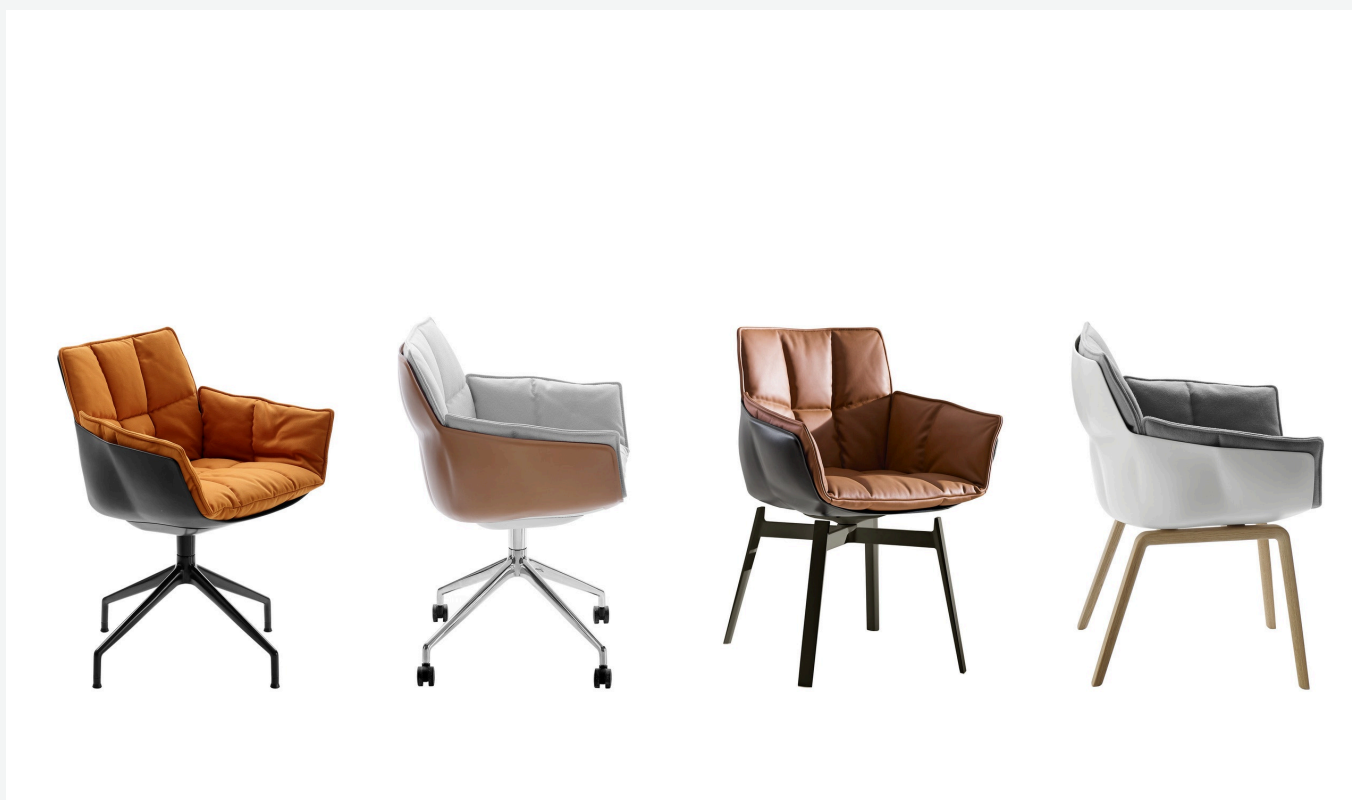


Husk

SEDIE

2012

Patricia Urquiola



Description

Comfortable, with a modern combination of base and seat, it picks up the profile of the namesake armchair. The body, which is shaped with a design that cites the capitonné style, conveys a feeling of softness. In the Husk chair cushions, in fabric or leather, fixed with press studs, are distinguished by the quilting.

Technical information

Shell

high density polyurethane resin (Baydur®)

Shell cover (P1FCN-P1GCN-P2FC-P3FC-P4GC)

thick leather

Upholstery

polyester fibre, needle polyester fibre section

Support frame

die-cast aluminium

Support frame (P2F-P2FC)

solid wood

Wheels (P3F-P3FC)

plastic material for soft or hard surfaces

Ferrules

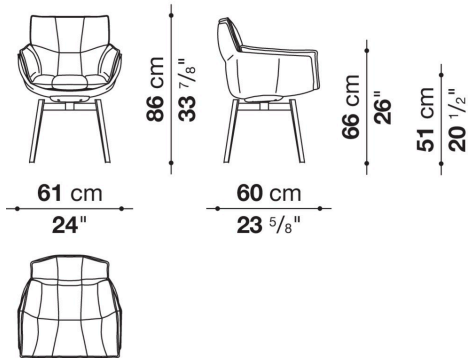
plastic material

Cover

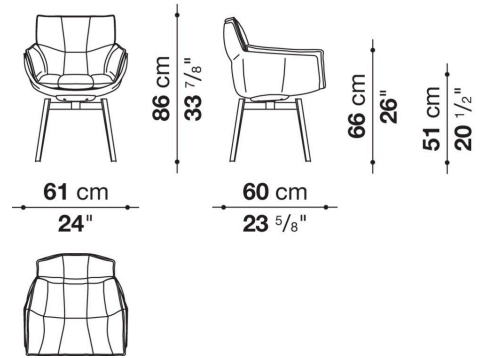
fabric or leather

Technical drawings

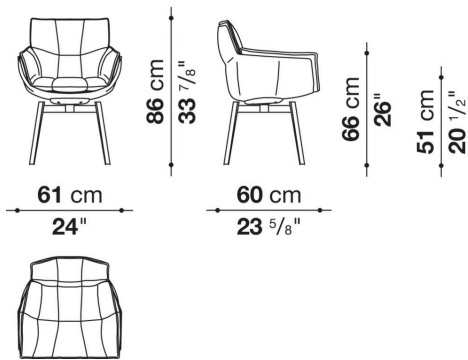
P1FN



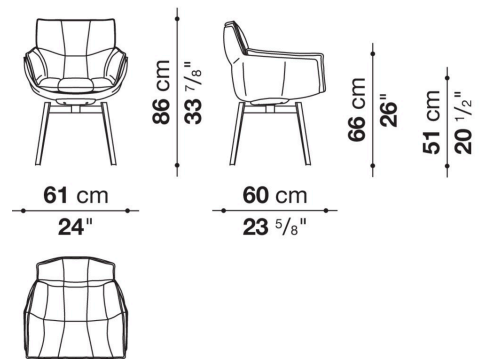
P1FCN



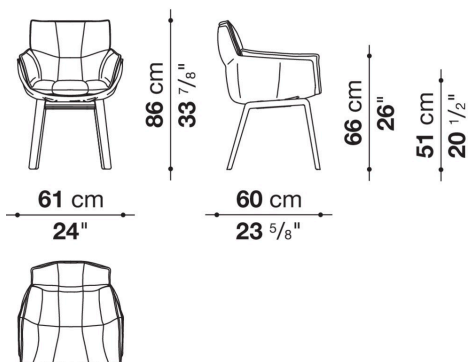
P1GN



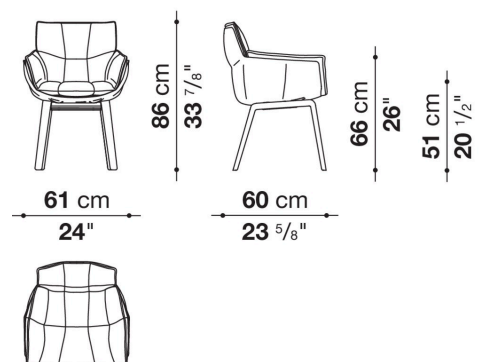
P1GCN



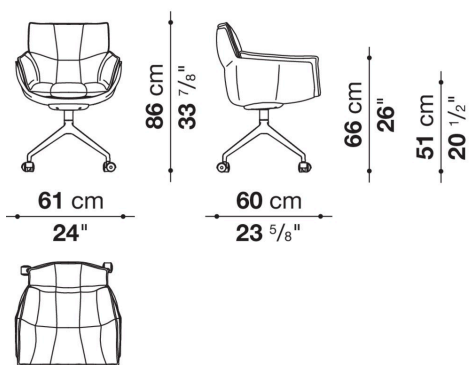
P2F



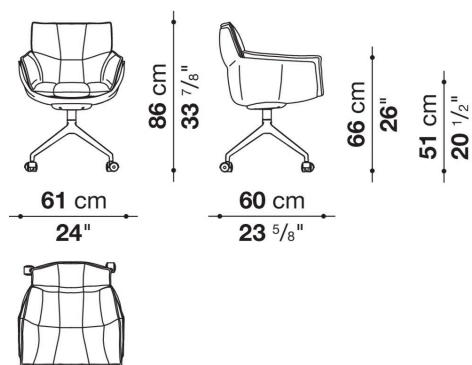
P2FC



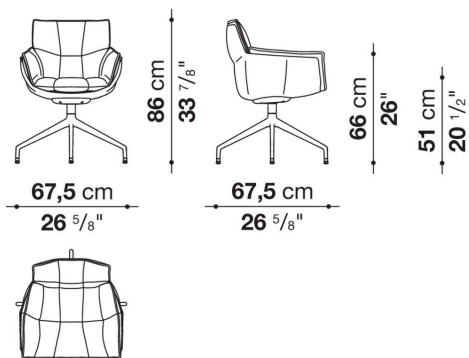
P3F



P3FC



P4G



P4GC

