

Vol Au Vent

SEDIE

2001

Mario Bellini



Description

The Vol Au Vent chair, with its single-material leather or fabric upholstery, can be combined with the most diverse tables, whether modern or classic. Its lines are poised between tradition and contemporaneity, and its volumes between thickness and slenderness. The removable cover is padded with a single polyurethane mould available in two sizes.

The Vol Au Vent larger can be fitted with armrests.

Technical information

Internal frame

tubular steel and steel profiles

Internal frame upholstery

Bayfit® flexible cold shaped polyurethane foam, polyester fibre cover

Ferrules

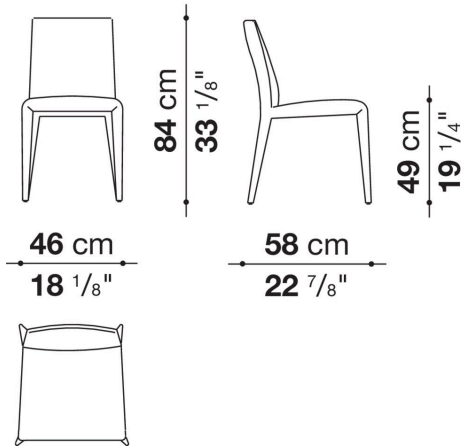
thermoplastic material

Cover

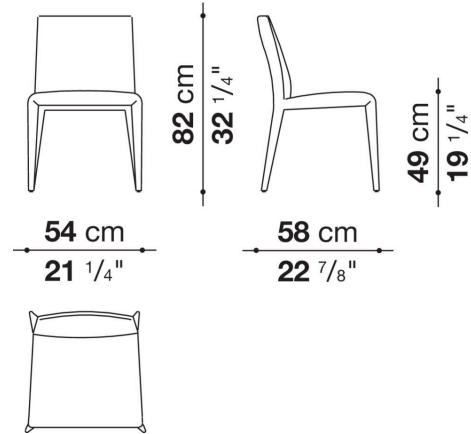
fabric or leather

Technical drawings

SV



SVL



SVB

