
Tufty-Too

SOFAS

2011

Patricia Urquiola



Description

A development of the Tufty-Time system, Tufty-Too – in fabric or leather – stands out for a perceptible feeling of softness along with a decorative quality based on a high-quality tailoring finish. This contemporary proposal makes reference to the '60s and' 70s: the citation of the capitonné style lies in the matching or contrasting hues of the cover seams, which become a distinctive feature. The entire line is marked by exceptional modularity and absolute compositional freedom. Numerous elements make up the system, starting with an ottoman as the basic piece, which is then accompanied by central, corner and terminal elements with a low or high armrest. These elements are used to invent traditional sofas, sofas with chaise longue, corner sofas and island elements that provide a 360° seating solution.

Technical information

Internal frame

tubular steel and steel profiles

Internal frame upholstery

Bayfit® flexible cold shaped polyurethane foam, polyester fibre cover

Back cushion (T60_C)

down feather and polyester fibre, pillow style typology

Feet

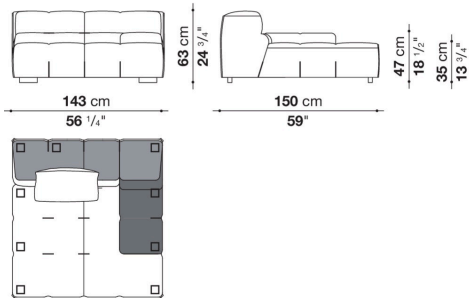
thermoplastic material

Cover

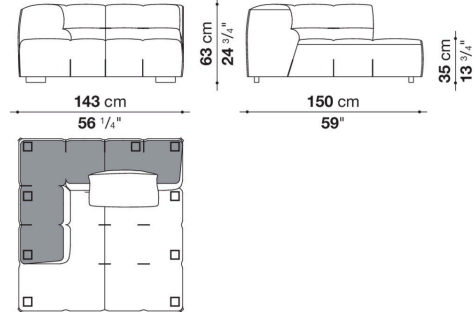
fabric (zig zag stitching)

Technical drawings

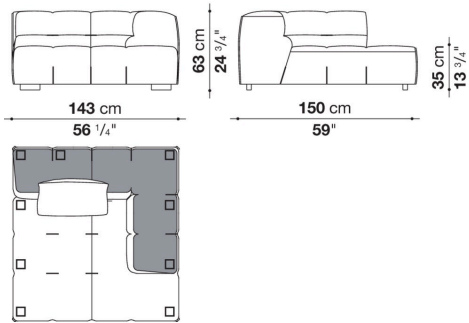
T143BD_4N



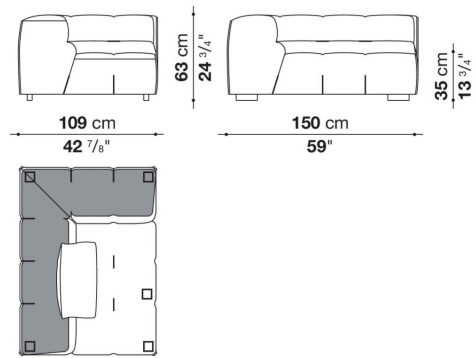
T143AS_4N



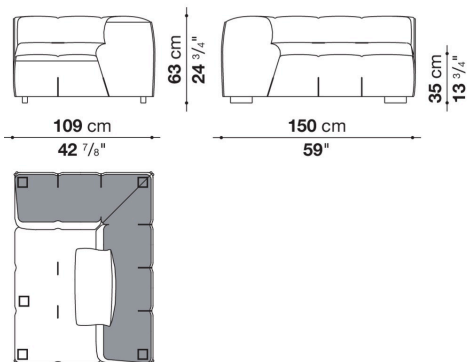
T143AD_4N



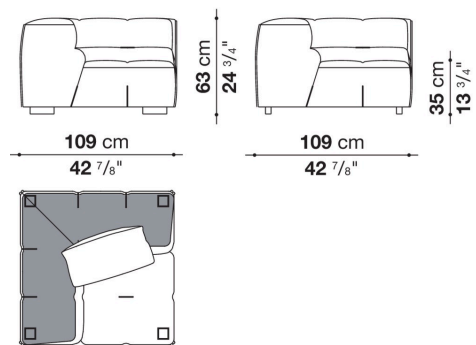
T109_4SN



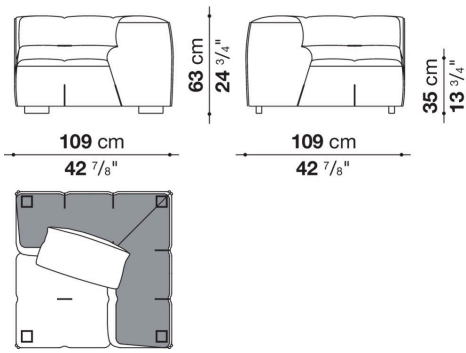
T109_4DN



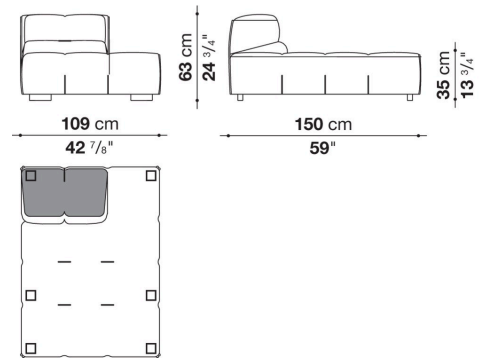
T109_3SN



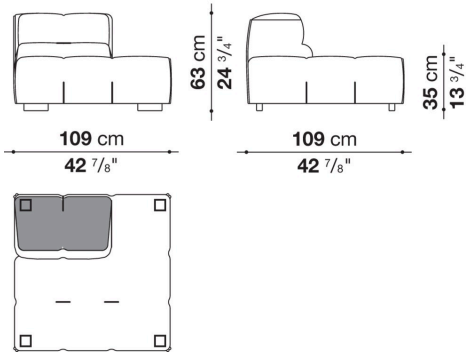
T109_3DN



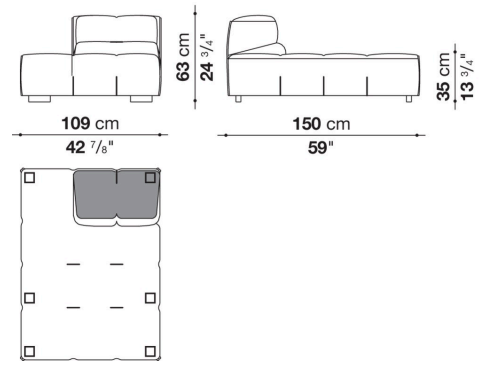
T109TPS_4N



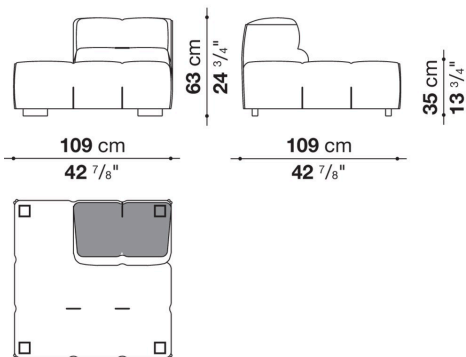
T109TPS_3N



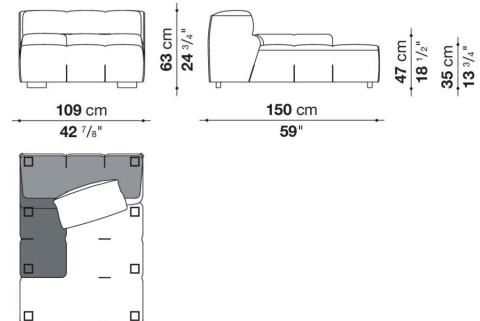
T109TPD_4N



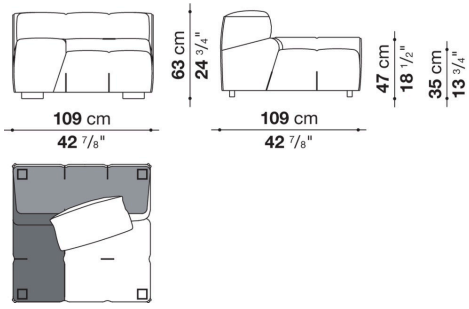
T109TPD_3N



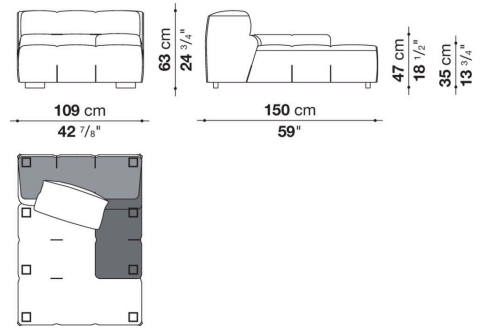
T109BS_4N



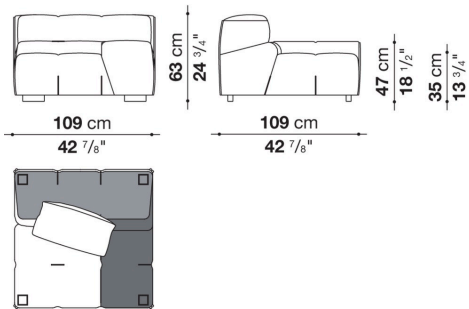
T109BS_3N



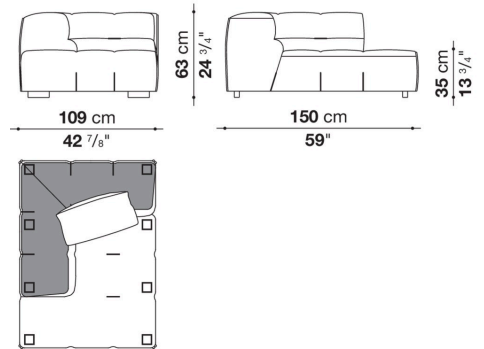
T109BD_4N



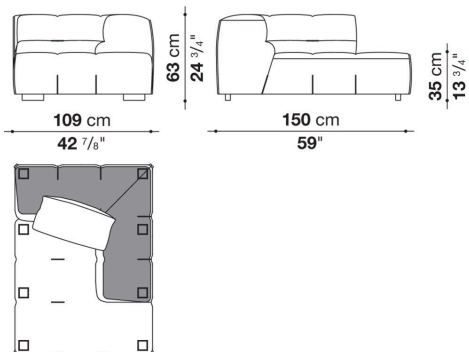
T109BD_3N



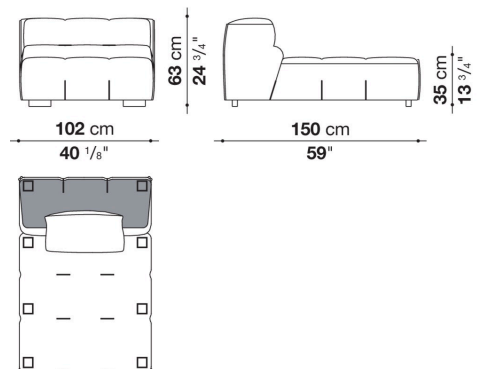
T109AS_4N



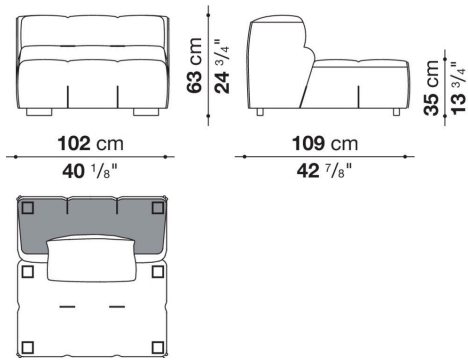
T109AD_4N



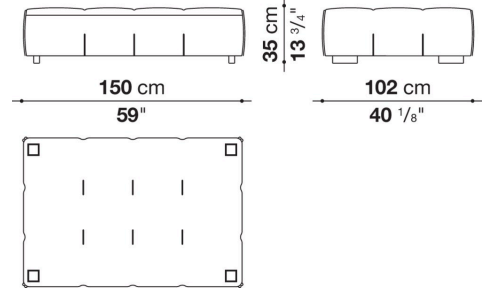
T102C_4N



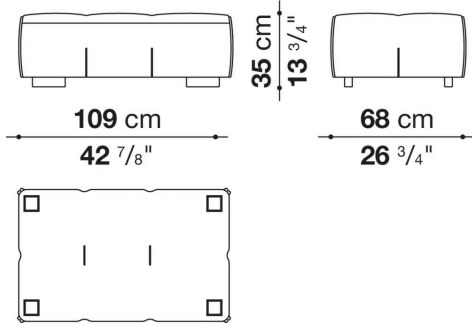
T102C_3N



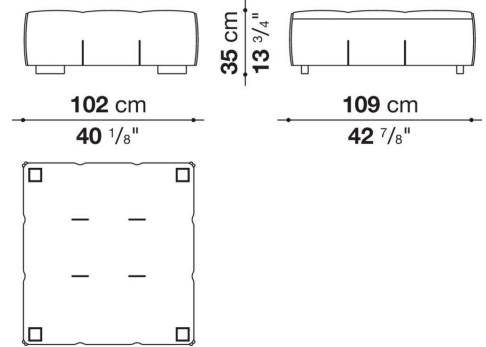
T150P_3N



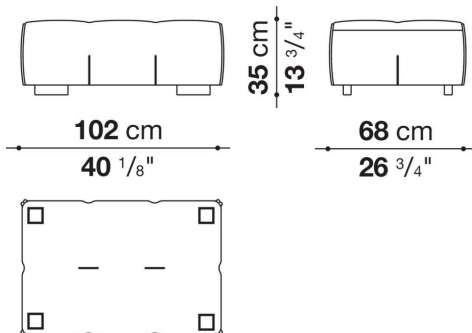
T109P_2N



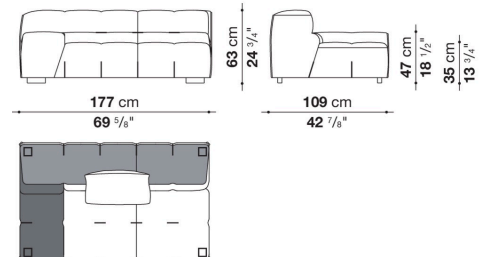
T102P_3N



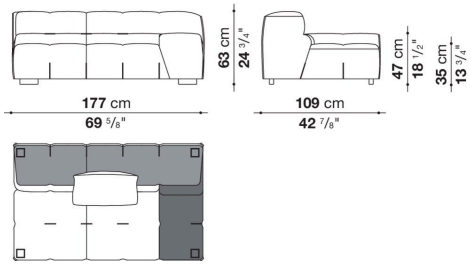
T102P_2N



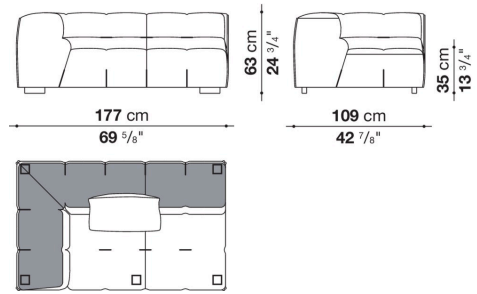
T177BS_3N



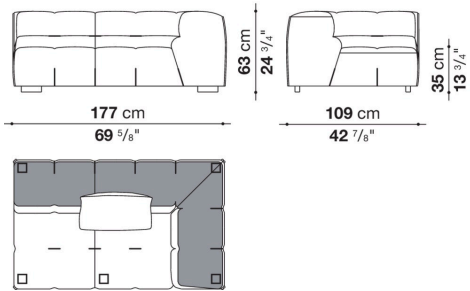
T177BD_3N



T177AS_3N



T177AD_3N



T143BS_4N

