
Tufty-Time '15

SOFAS

2015

Patricia Urquiola



Description

The innovative Tufty-Time '15 modular seating system offers a more contemporary take on the traditional Chesterfield and capitonné sofas typical of the '60s and '70s, with a freer and more informal lifestyle. Tufty-Time '15 responds to the need for modularity, comfort and removable covers with extremely versatile configurations. The modular system starts with an ottoman as the basic piece, which is then accompanied by central, corner and terminal elements with a low or high armrest. The elements are used to invent traditional sofas, sofas with chaise longue, corner sofas and island elements that provide a 360° seating solution. Launched in 2015 to celebrate the tenth anniversary of Tufty-Time, Tufty-Time '15 stands out for its textile cover, split into large squares joined by a bottom fold that conveys an unquestionably modern personality.

Technical information

Internal frame

tubular steel and steel profiles

Internal frame upholstery

Bayfit® flexible cold shaped polyurethane foam, polyester fibre cover

Back cushion (T60_C)

down feather and polyester fibre, pillow style typology

Feet

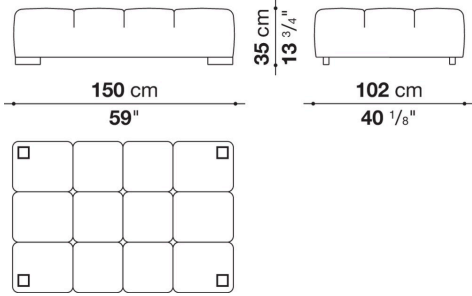
thermoplastic material

Cover

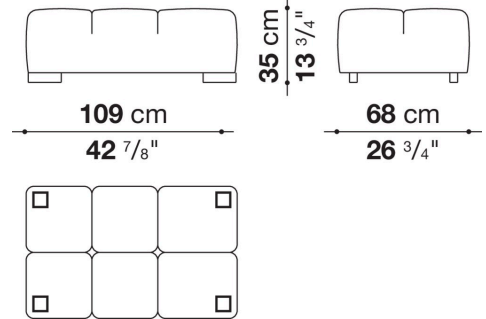
fabric

Technical drawings

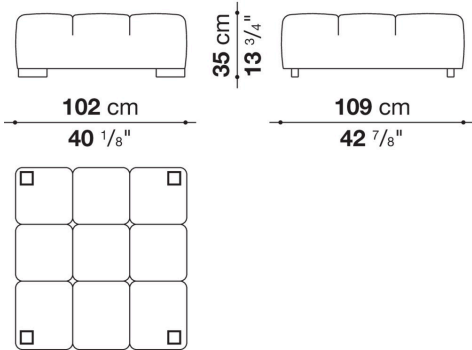
T150P_3T



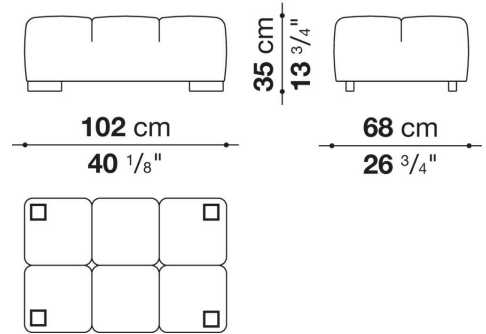
T109P_2T



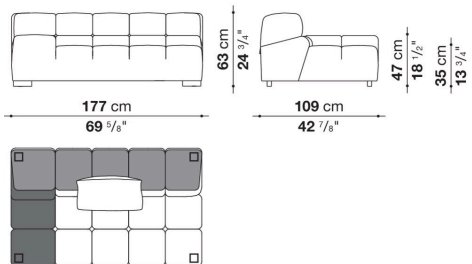
T102P_3T



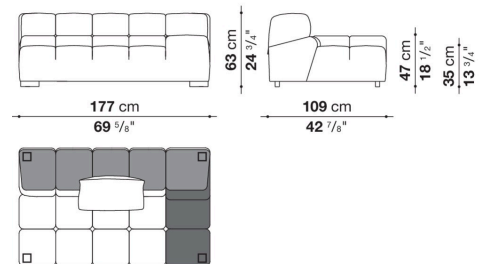
T102P_2T



T177BS_3T



T177BD_3T



T177AS_3T

