

Awa

TAVOLINI

2009

Naoto Fukasawa



Description

Elegantly asymmetrical, Awa is a versatile object, a service table to be placed wherever a support surface is needed. It is available in white Cristalplant®, a material suitable to be used both indoors and outdoors, and in hard polyurethane in many satin and glossy colours that bring an energy boost to any room and style.

Technical information

Frame (TA1)

Cristalplant Outdoor® (natural mineral filler of phosphate of aluminium with polyester acrylate resin)

Frame (AW58T)

hard polyurethane

Internal pin and plate (AW58T)

steel

Ferrules (TA1)

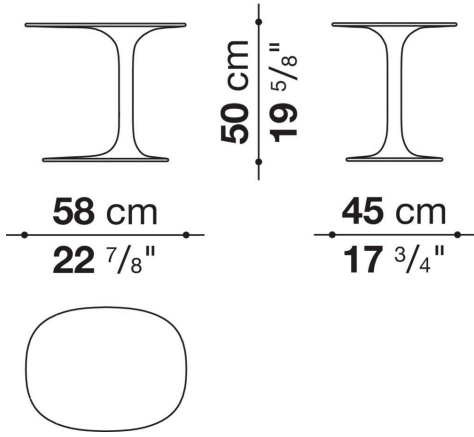
thermoplastic material

Ferrules (AW58T)

felt

Technical drawings

TA1



AW58T

