

Alys

LETTI

2013

Gabriele & Oscar Buratti



Description

A sheet of leather “pinched” in two places at the base: here is where the movement and natural inclination of the Alys headboard originate. A headboard with a welcoming and protective shape, of great formal effectiveness, that has thin perimeter strips marked by a lengthwise seam. Alys frame can be placed at two different heights, thanks to two sets of feet supplied with the bed.

Technical information

Internal frame

tubular steel and steel profiles

Internal frame upholstery

Bayfit® flexible cold shaped polyurethane foam, polyester fibre cover

Bed sides

anodized aluminium extrusions

Feet

thermoplastic material

Slatted base

tubular steel and wood multi-layered slats

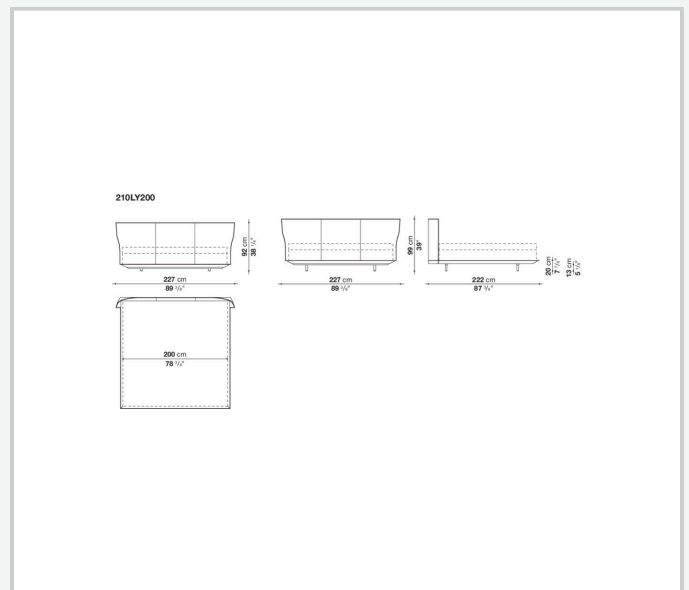
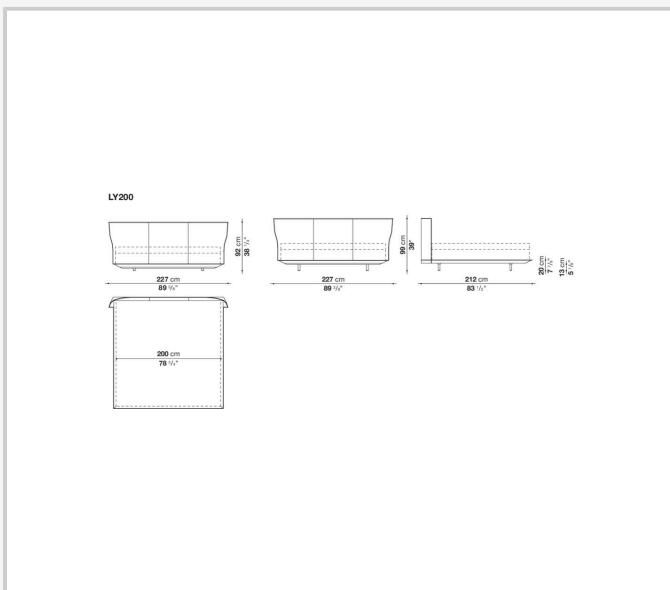
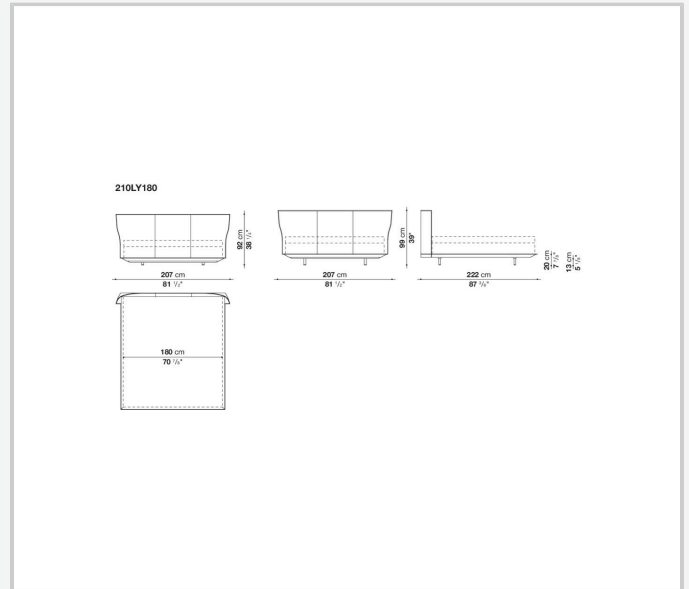
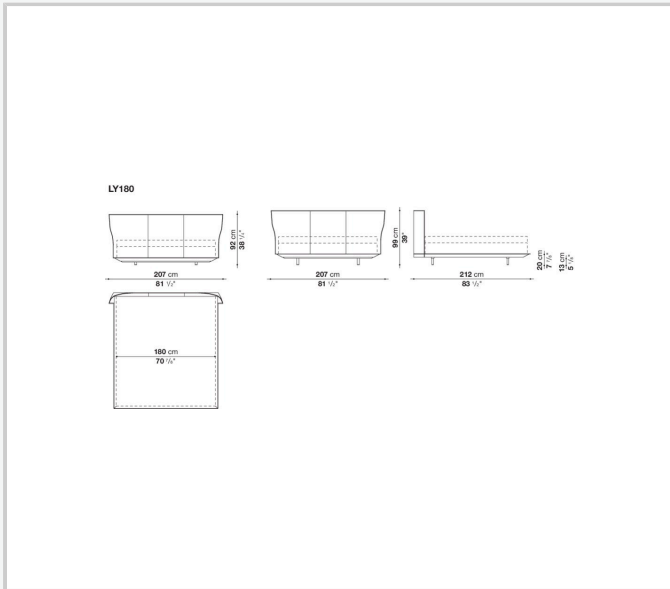
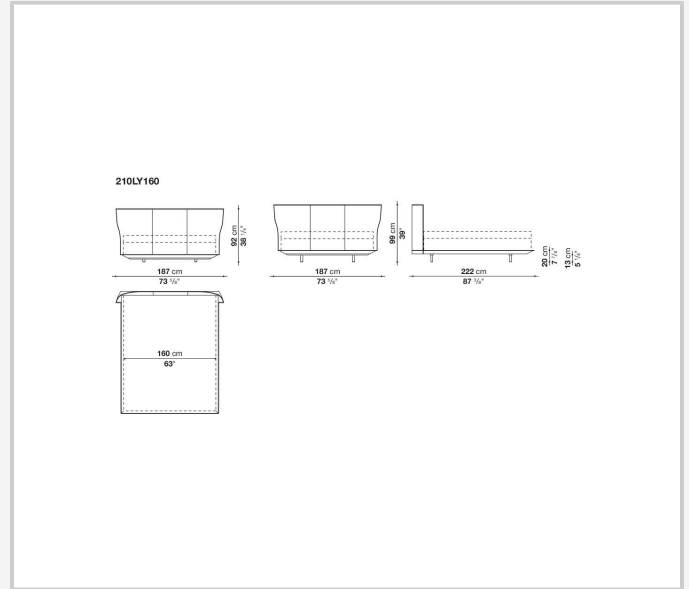
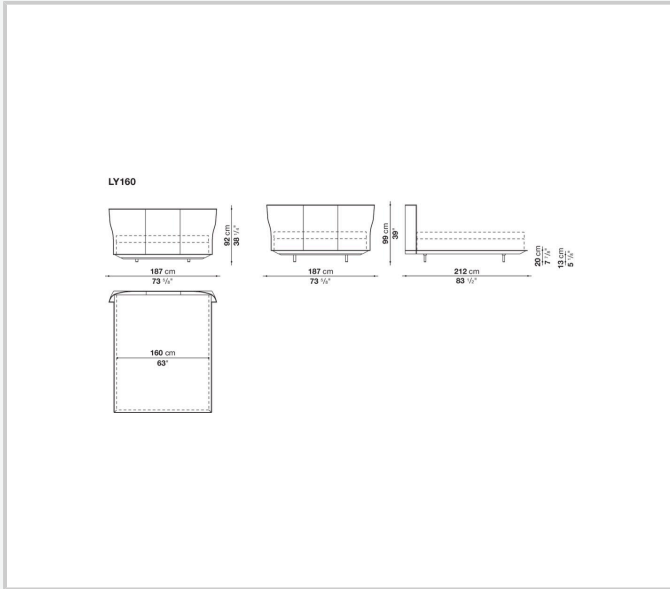
Support crosspiece for slatted base

tubular steel

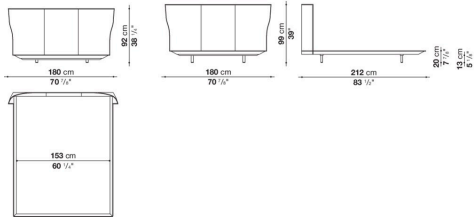
Cover

thick leather

Technical drawings



LY153



LY193

