

Bunch

OBJECTS

2005

Naoto Fukasawa



Description

The Bunch vase, available in black and white ceramic, looks like a bunch of flowers, with the stems gathered together as if it were the perfect bouquet. It is an ironic combination of a container and its contents inspired by the oriental art of ikebana, in which flowers and other elements of natural origin are arranged to form elegant compositions.

Technical information

Material

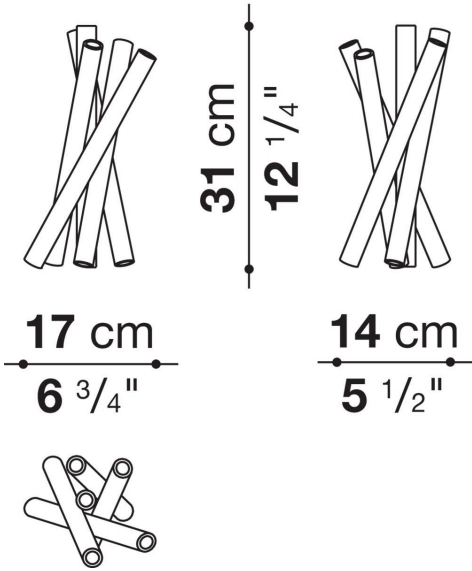
glossy ceramic

Colour

white or black

Technical drawings

AB20030



AB20031

