
Overscale Flames Outdoor

OBJECTS

2008

Jean-Marie Massaud



Description

Large oil candles in high density polyurethane resin (Baydur®) with a metallic frame matt painted.

Technical information

Frame

metal profiles

Shell

high density polyurethane resin (Baydur®)

Nozzles

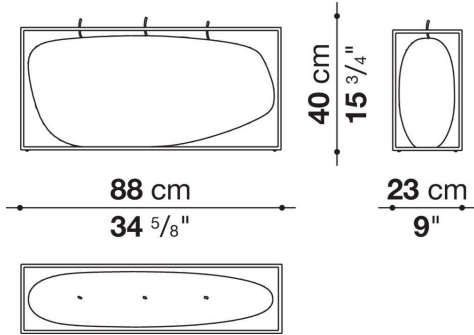
anodized aluminium

Colour

white

Technical drawings

AB20043B



AB20044B

