

Hollow

ARMCHAIRS

2006

Patricia Urquiola



Description

This project is the result of a group of modular panels of different sizes, which can be assembled through hinges to act as back and armrest and hold a soft seats. Blocked and supported by the legs, the entirely upholstered and lined panels display a concave plastic surface on the outside, which visually moves the elements and enhances their effect of lightness.

Technical information

Internal frame

tubular steel and steel profiles

Internal frame upholstery

Bayfit® flexible cold shaped polyurethane foam, polyester fibre cover

Shell

plastic material or plastic material and leather

Feet and joints

steel

Ferrules

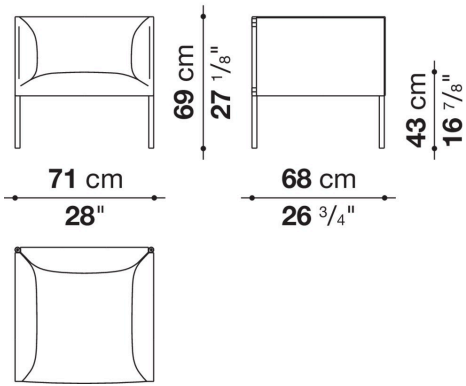
thermoplastic material

Cover

fabric or leather in limited categories

Technical drawings

HO71



HO80

