

# White Collection

OBJECTS

2008

Marcel Wanders



## Description

---

White Collection, three overscale objects by Marcel Wanders: a tall vase, a stool and a bowl in enamelled ceramic, also suitable for outdoor use.

## Technical information

---

**Frame**

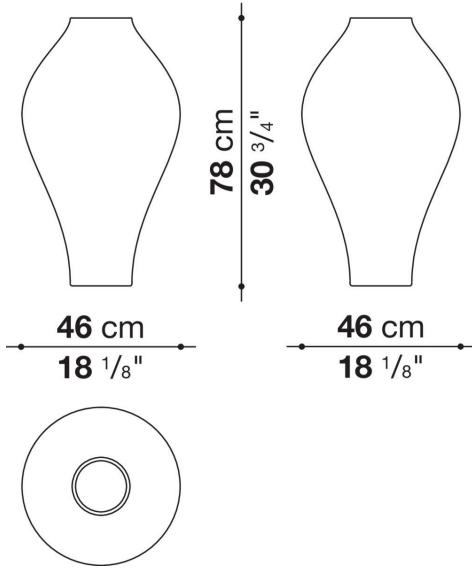
enamelled ceramic

**Colour**

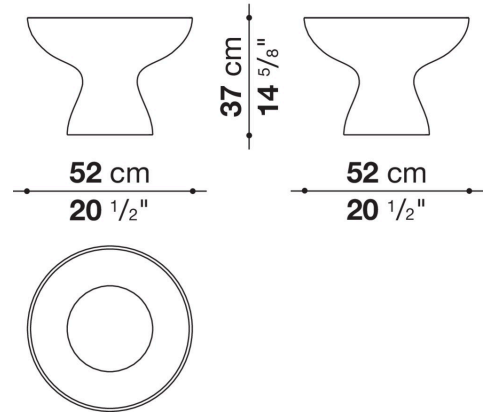
white

# Technical drawings

**AB20046B**



**AB20047B**



**AB20048B**

