

Bay

ARMCHAIRS

2018

Nipa Doshi & Jonathan Levien



Description

Bay is a sculptural, monolithic collection of braided outdoor furnishings. Enveloping braided volumes are combined with padded rock-like seats and soft cushions that reflect the elegance, comfort and refinement of B&B Italia's indoor products. Sensually shaped, their double braiding creates air pockets that grant transparency and lightness to the collection.

Technical information

Internal frame

tubular steel and steel profiles

Back frame

aluminium

Upholstery

Bayfit® flexible cold shaped polyurethane foam, water repellent polyester fibre cover (with heat-sealed ribbon)

Back cushion

Solotex fibre and visco-elastic polyurethane combination, cover in water repellent polyester fibre

Interlacing

polypropylene fibre braid

Feet and ferrules

thermoplastic material

Waterproof cover cloth

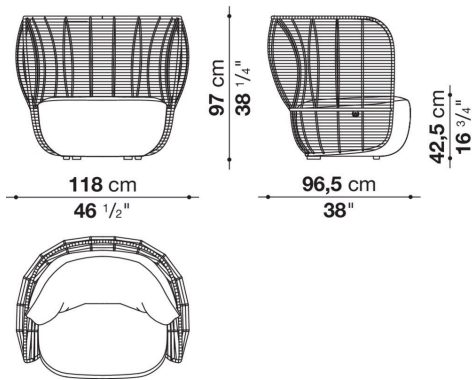
PES fabric coated on one side in PU

Cover

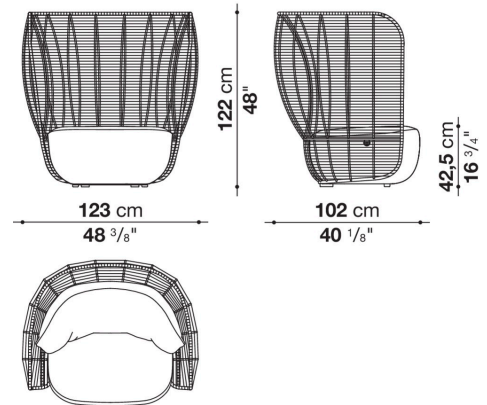
fabric in limited categories

Technical drawings

BY118B



BY123A



BY94N

