

# Progetto 1

TABLES

2006

Monica Armani



## Description

---

Progetto 1 is a collection of tables with a pure and rigorous design intended to furnish refined workstations, executive offices and meeting rooms. Available in different sizes, they stand out for their attention to detail and the wide range of possible configurations. They have chromed steel structures to combine with wood or glass tops and can be equipped with shelves and cable holders. To complete the range, a chest of drawers with wheels.

## Technical information

---

**Top**

veneered wood particles panel or glass

**Frame**

drawn steel

**Internal frame**

drawn steel and steel sheet

**Shelf with supports**

drawn steel and steel sheet

**Horizontal and vertical cable grommet**

steel sheet

**Square and rectangular cable grommet**

steel sheet with lid in stainless steel

**Vertebra cable holder**

thermoplastic material

**Ferrules**

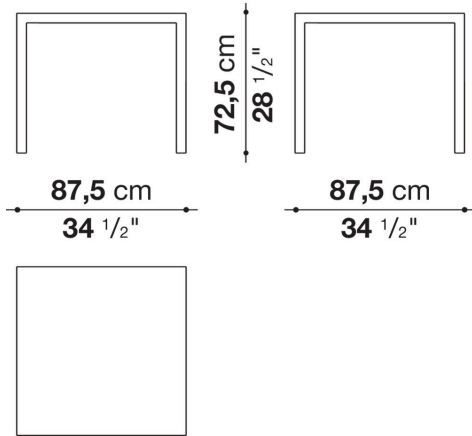
steel sheet, thermoplastic material

**Adjustable ferrules**

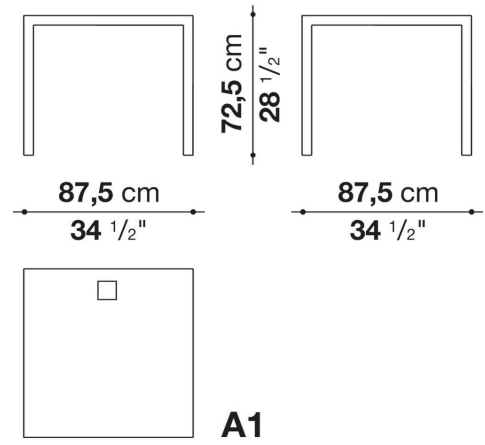
steel and thermoplastic material

# Technical drawings

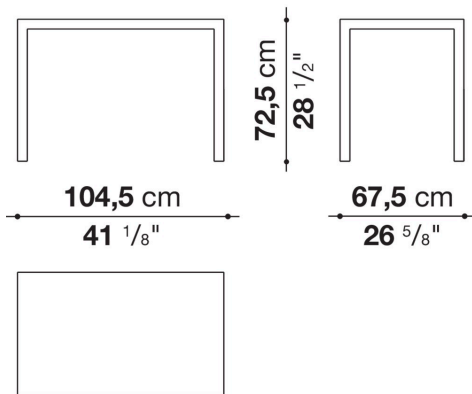
**P1T0808C**



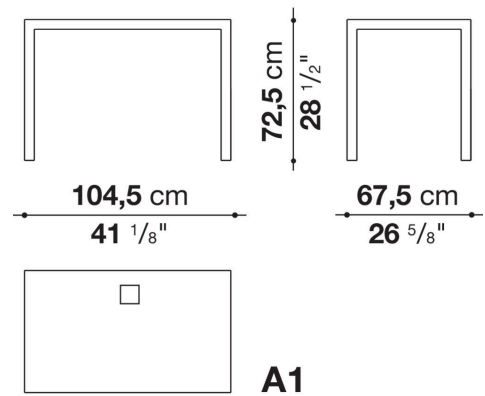
**P1T0808C**



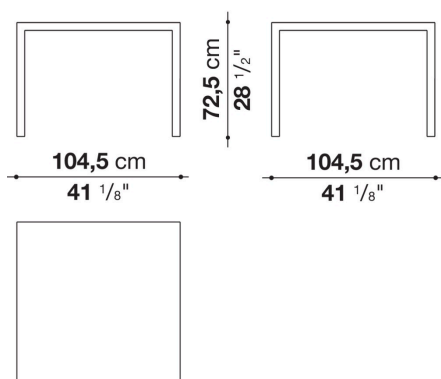
**P1T1006C**



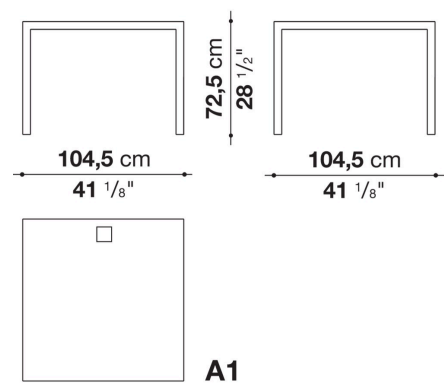
**P1T1006C**

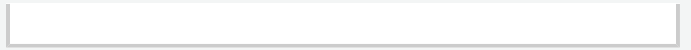
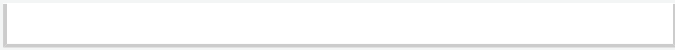


**P1T1010C**

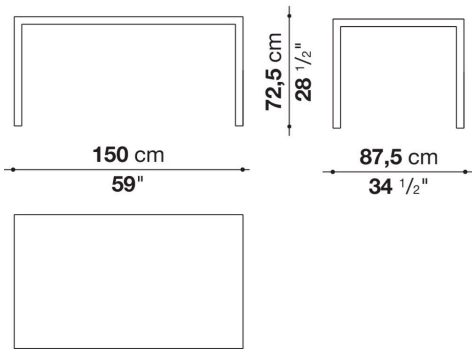


**P1T1010C**

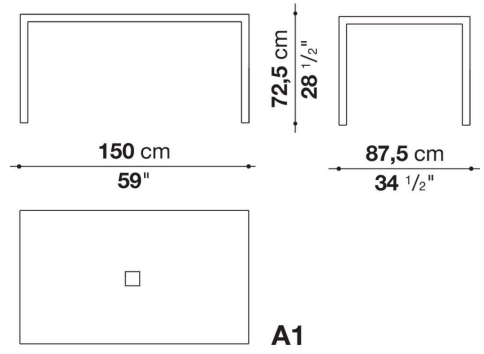




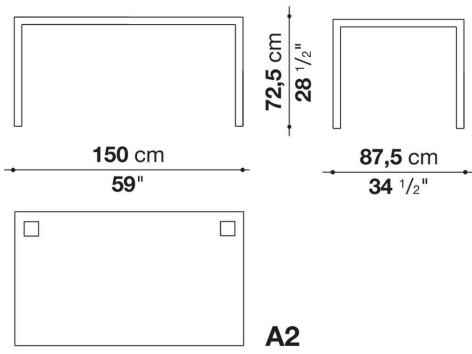
**P1T1508C**



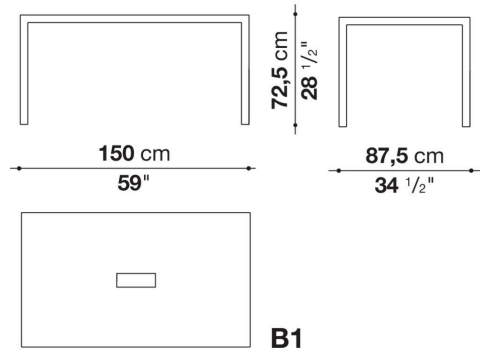
**P1T1508C**



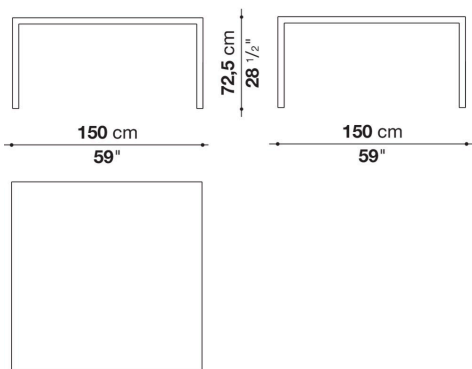
**P1T1508C**



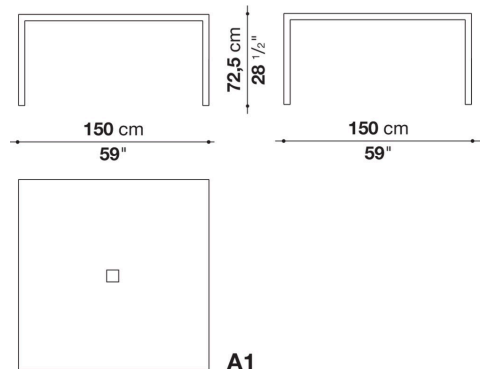
**P1T1508C**



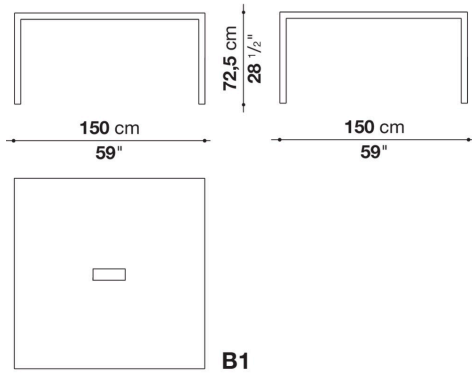
**P1T1515C**



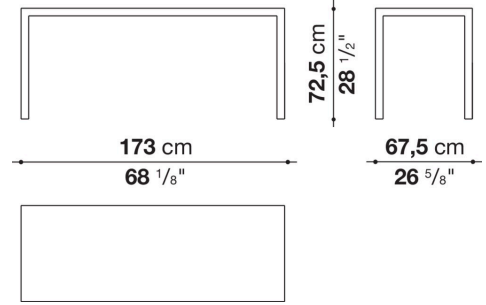
**P1T1515C**



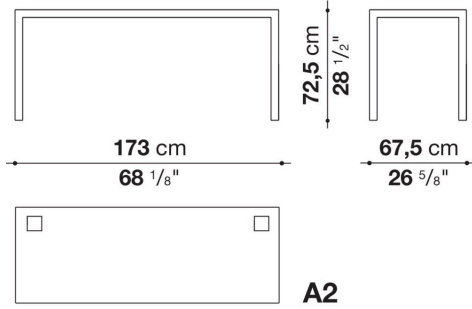
**P1T1515C**



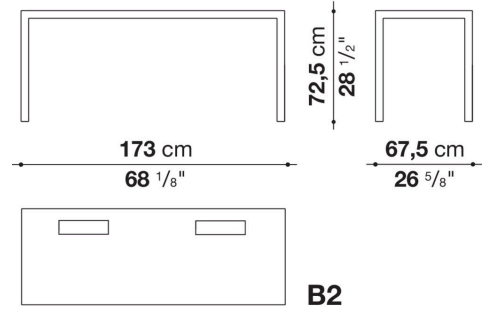
**P1T1706C**



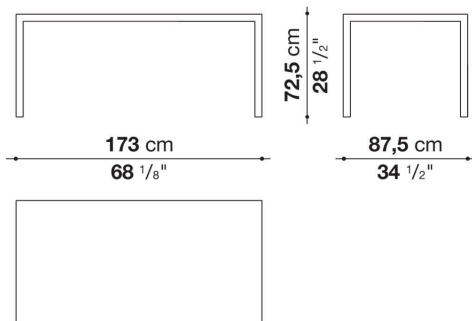
**P1T1706C**



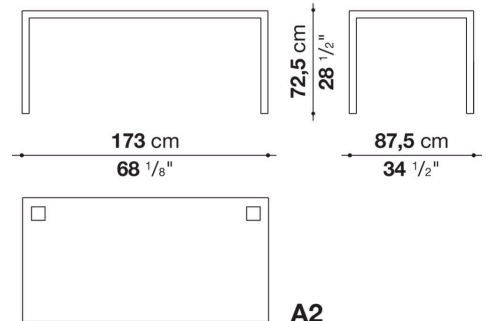
**P1T1706C**



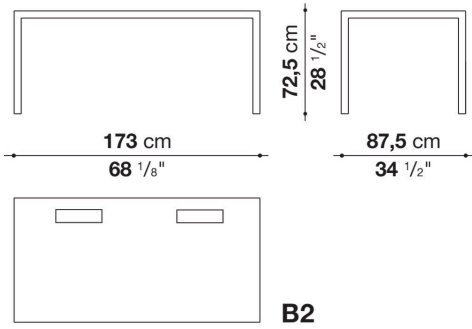
**P1T1708C**



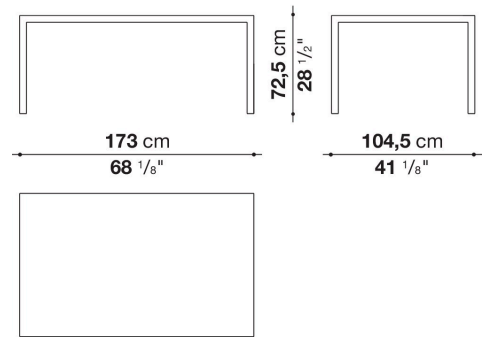
**P1T1708C**



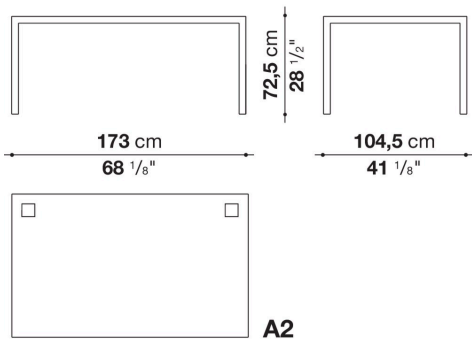
**P1T1708C**



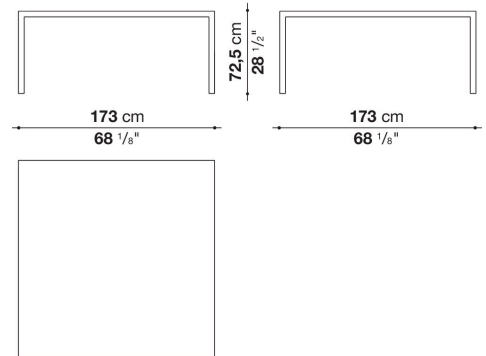
**P1T1710C**



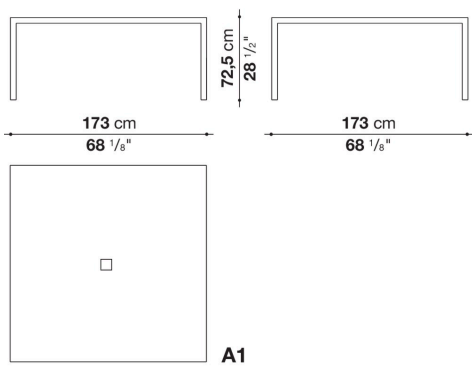
**P1T1710C**



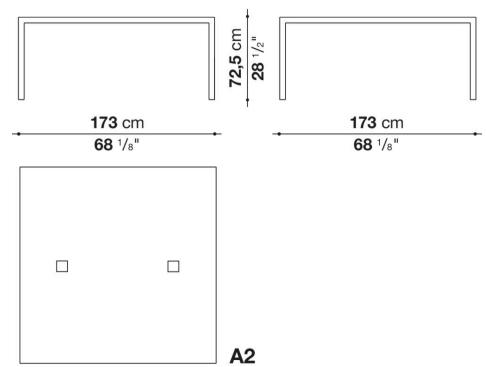
**P1T1717C**



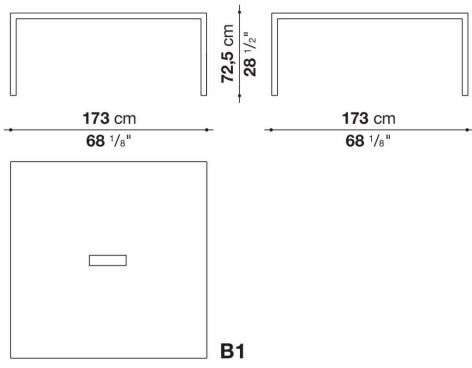
**P1T1717C**



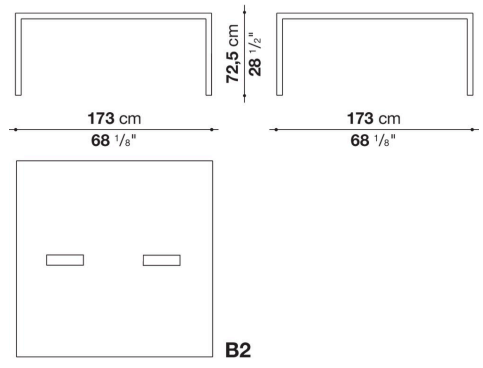
**P1T1717C**



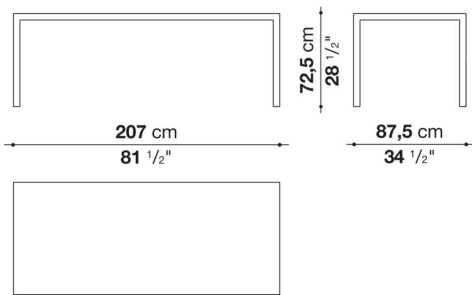
**P1T1717C**



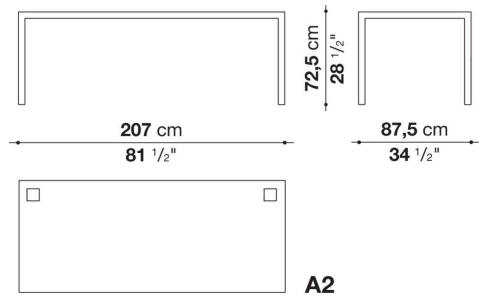
**P1T1717C**



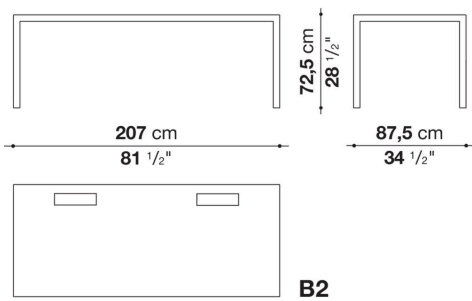
**P1T2008C**



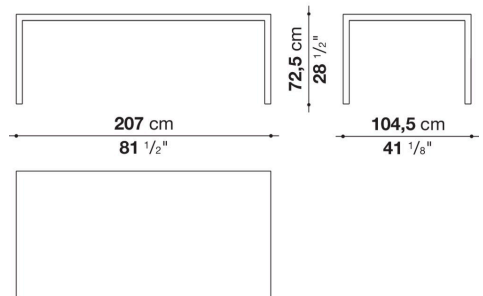
**P1T2008C**



**P1T2008C**

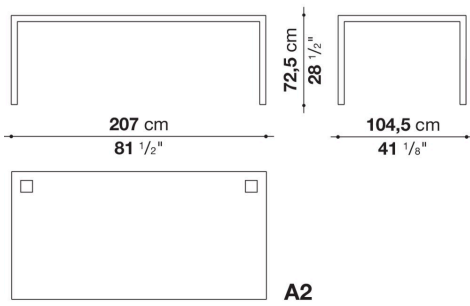


**P1T2010C**

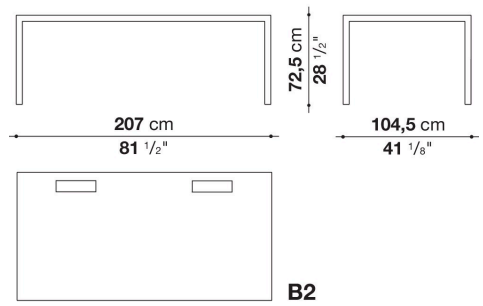




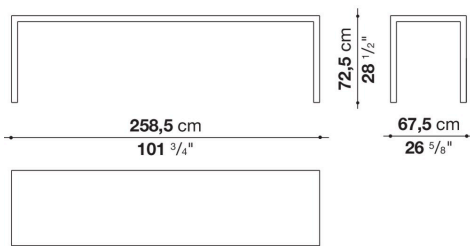
**P1T2010C**



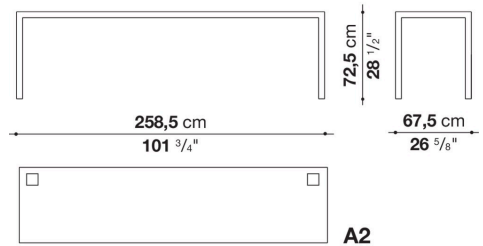
**P1T2010C**



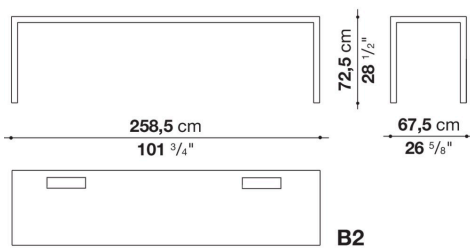
**P1T2506C**



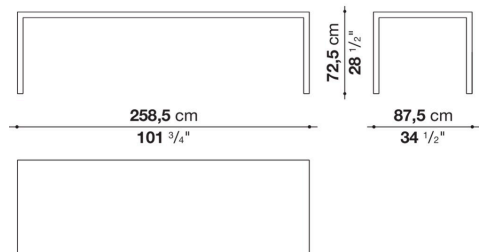
**P1T2506C**



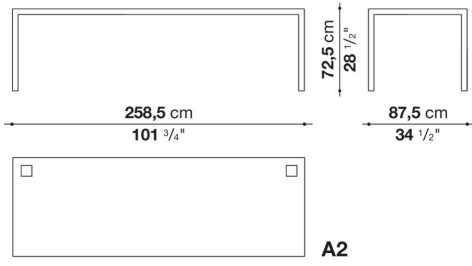
**P1T2506C**



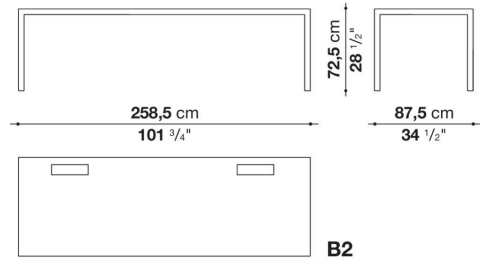
**P1T2508C**



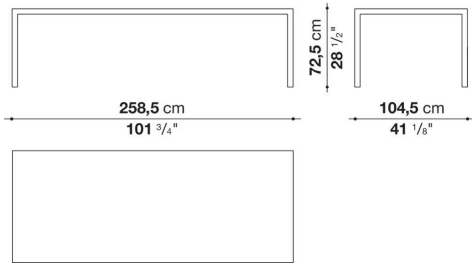
**P1T2508C**



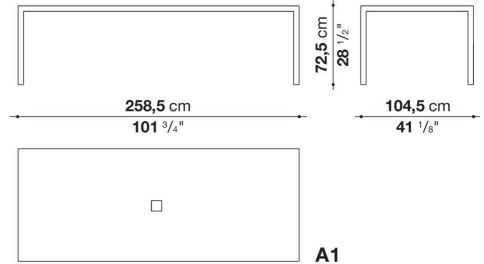
**P1T2508C**



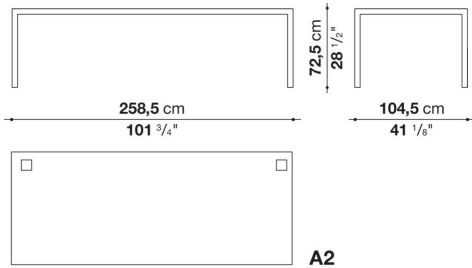
**P1T2510C**



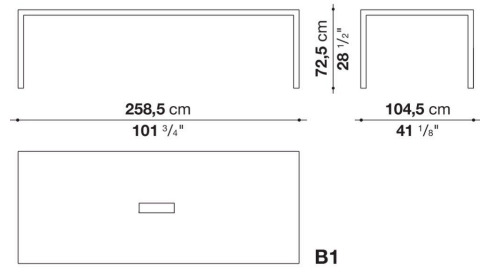
**P1T2510C**



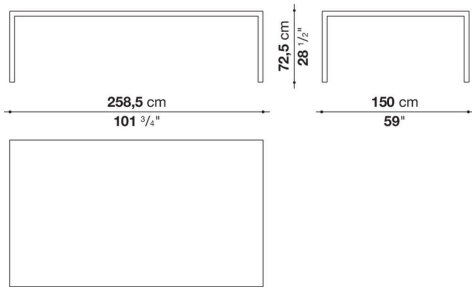
**P1T2510C**



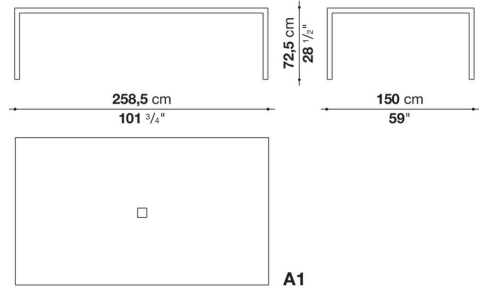
**P1T2510C**



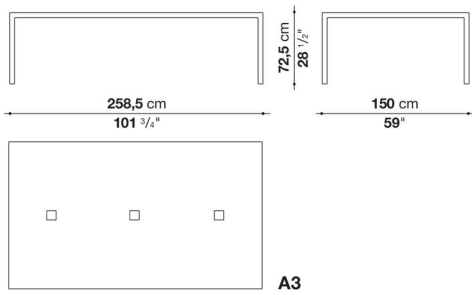
P1T2515C



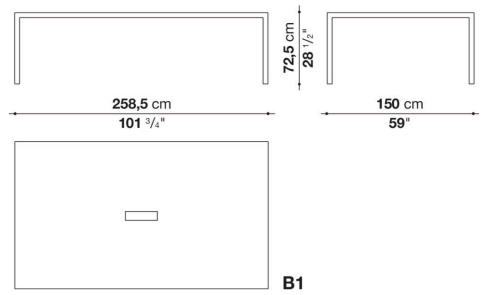
P1T2515C



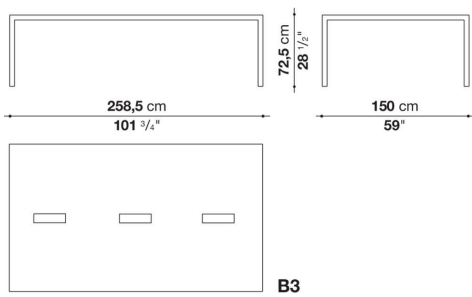
P1T2515C



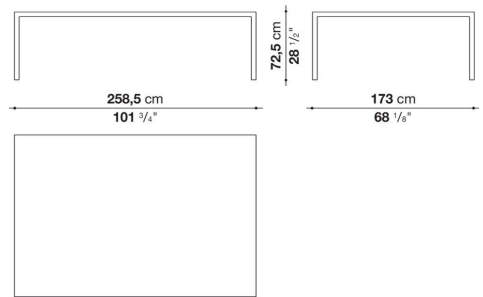
P1T2515C



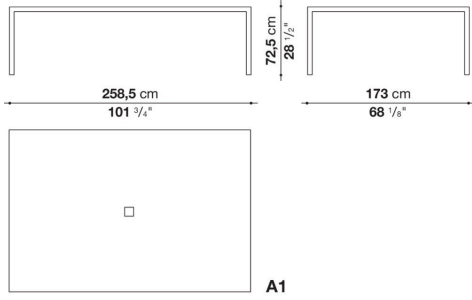
P1T2515C



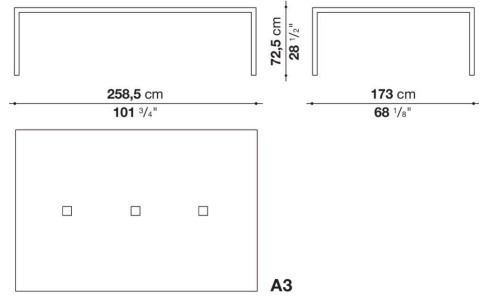
P1T2517C



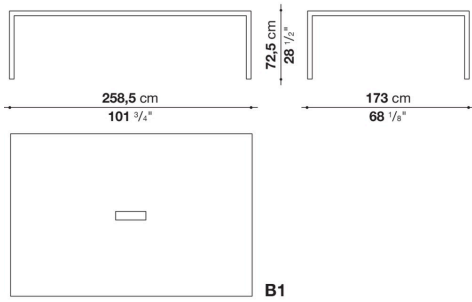
P1T2517C



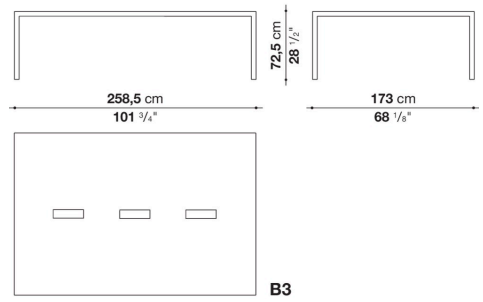
P1T2517C



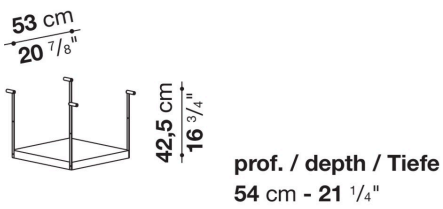
P1T2517C



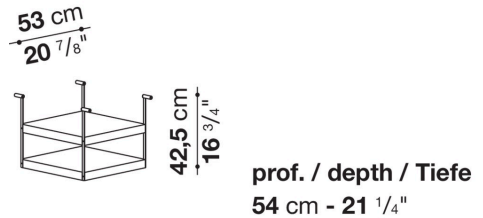
P1T2517C



P1S0506A

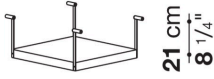


P1S0506AS



### P1S0506B

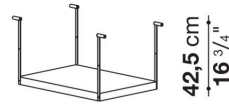
53 cm  
20 7/8"



prof. / depth / Tiefe  
54 cm - 21 1/4"

### P1S0508A

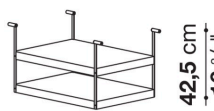
53 cm  
20 7/8"



prof. / depth / Tiefe  
74 cm - 29 1/8"

### P1S0508AS

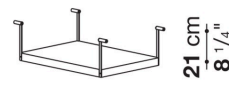
53 cm  
20 7/8"



prof. / depth / Tiefe  
74 cm - 29 1/8"

### P1S0508B

53 cm  
20 7/8"



prof. / depth / Tiefe  
74 cm - 29 1/8"

### P1S0510A

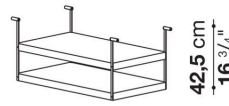
53 cm  
20 7/8"



prof. / depth / Tiefe  
94 cm - 37"

### P1S0510AS

53 cm  
20 7/8"



prof. / depth / Tiefe  
94 cm - 37"

**P1S0510B**

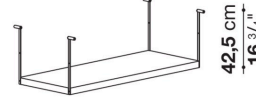
53 cm  
20 7/8"



prof. / depth / Tiefe  
94 cm - 37"

**P1S1706A**

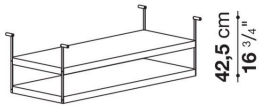
139 cm  
54 3/4"



prof. / depth / Tiefe  
54 cm - 21 1/4"

**P1S1706AS**

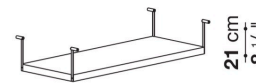
139 cm  
54 3/4"



prof. / depth / Tiefe  
54 cm - 21 1/4"

**P1S1706B**

139 cm  
54 3/4"



prof. / depth / Tiefe  
54 cm - 21 1/4"