

# Michel Effe

SOFAS

2015

Antonio Citterio



## Description

---

A seating system comprising of several elements, Michel Effe is an evolution of Michel that stands out for its essential style. This variety in the product range, available in two depths, makes it possible to organise different types of in-line and modular compositions, from formal to casual. From the point of view of style, it features a rigorous design in the base-frame and in the seat with a single cushion. More essential than its predecessors yet no less comfortable, in Michel Effe everything superfluous has been removed.

## Technical information

---

**Back and armrest internal frame**

tubular steel and steel profiles

**Back and armrest internal frame upholstery**

Bayfit® flexible cold shaped polyurethane foam, polyester fibre, polyester fibre cover

**Seat internal frame**

tubular steel and steel profiles, multi-layered wood panel, shaped polyurethane

**Seat cushion upholstery**

shaped polyurethane of different density, sterilized down, polyester fibre cover

**Back cushion (MF65C-MF50C)**

down feather and polyurethane section, box style typology

**Back cushion with roller (MF65CP-MF50CP)**

down feather, polyurethane section and polyester fibre, box style and roller typology

**Support (FA-FB)**

visco-elastic polyurethane, polyester fibre cover

**Support frame**

die-cast aluminium and extrusions

**Ferrules**

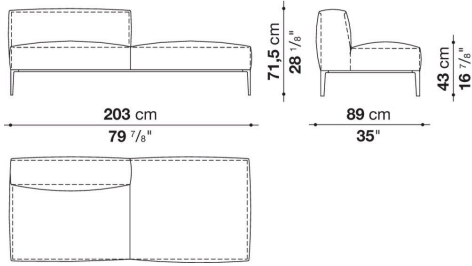
thermoplastic material

**Cover**

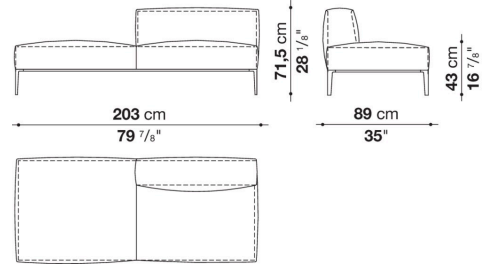
fabric or leather

# Technical drawings

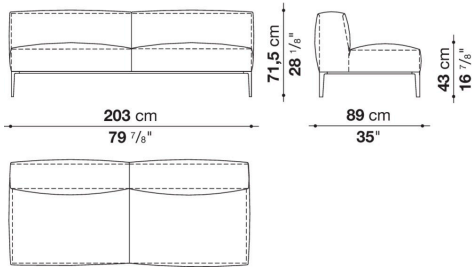
**9MF206PS**



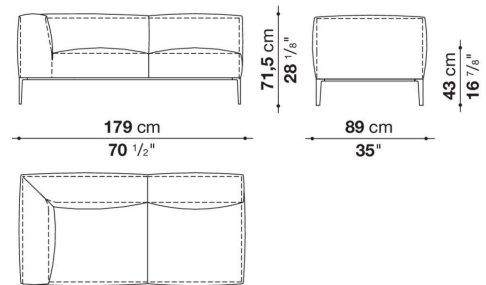
**9MF206PD**



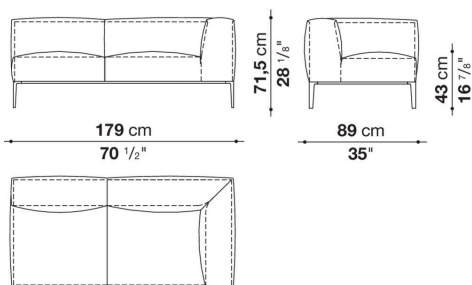
**9MF206P2**



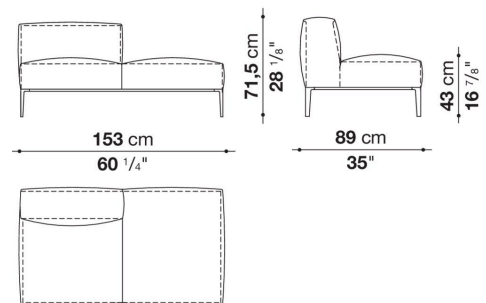
**9MF182TS**



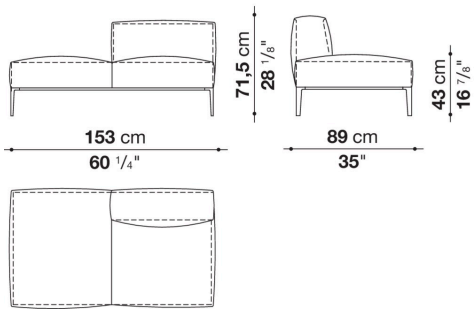
**9MF182TD**



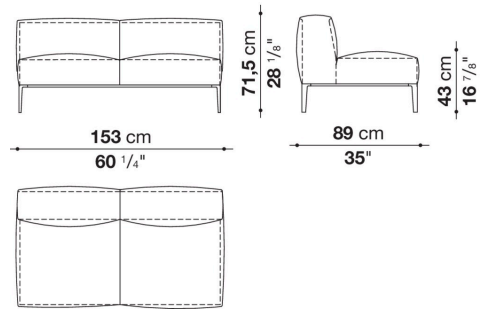
**9MF156PS**



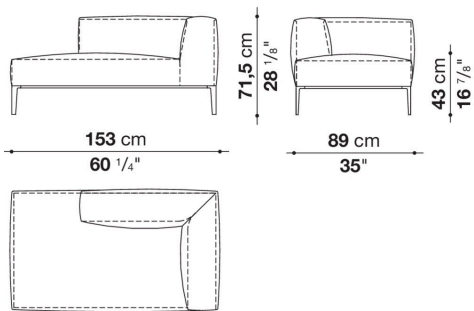
**9MF156PD**



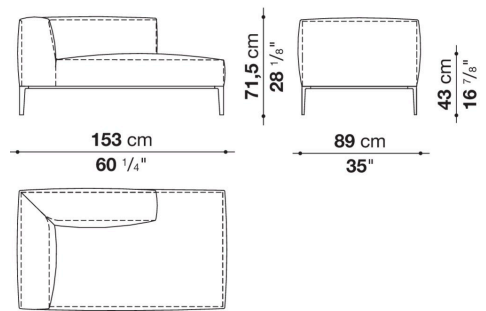
**9MF156P2**



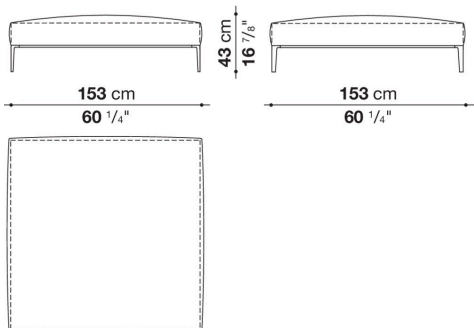
**9MF156CHS**



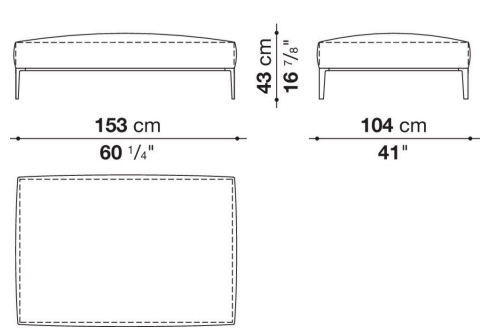
**9MF156CHD**



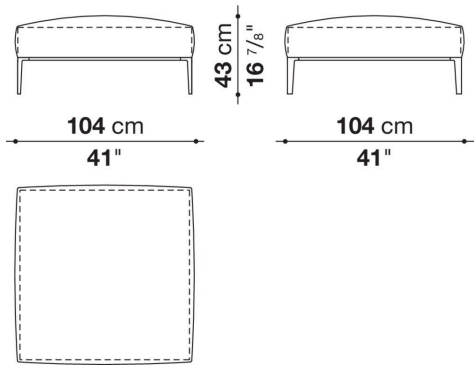
**MF156PQ**



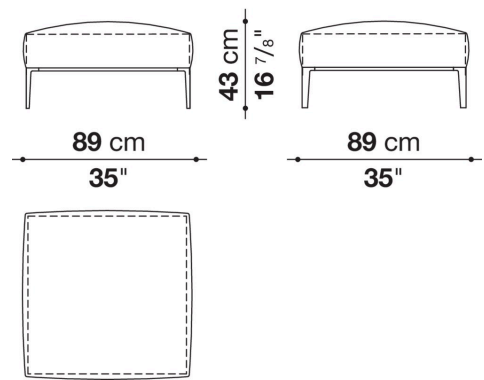
**MF156P**



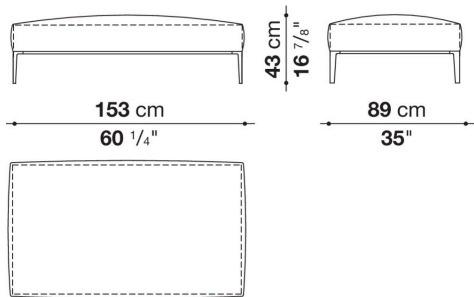
### MF106PQ



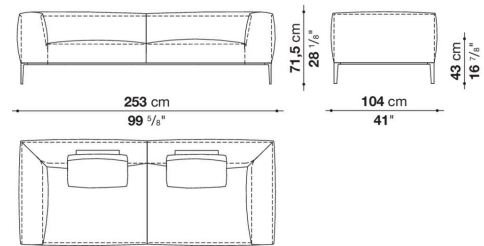
### 9MF91PQ



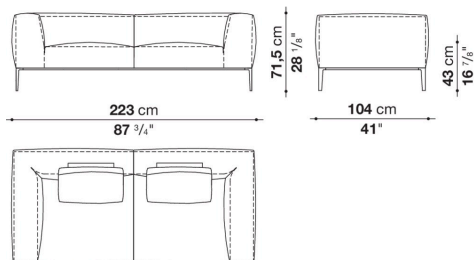
### 9MF156P



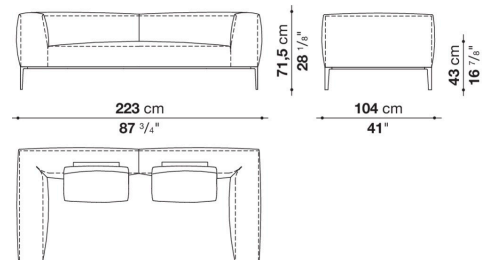
### MF256



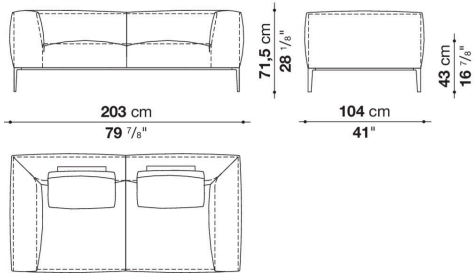
### MF226\_2



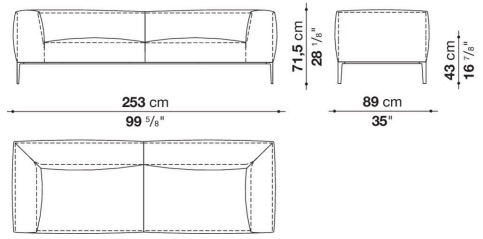
### MF226\_1



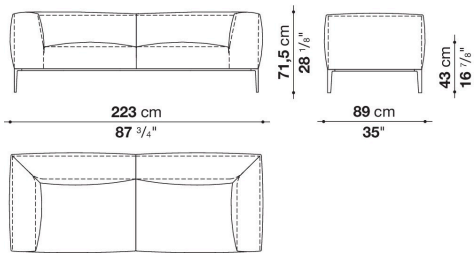
**MF206**



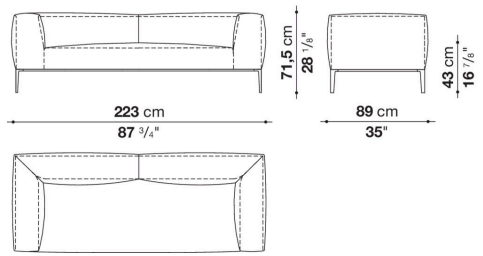
**9MF256**



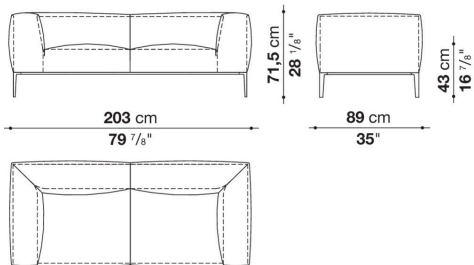
**9MF226\_2**



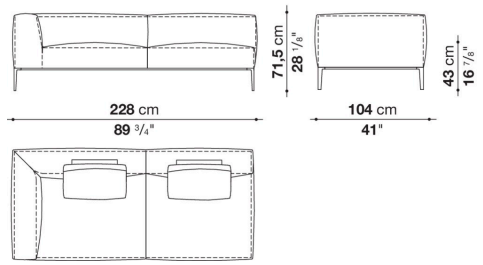
**9MF226\_1**



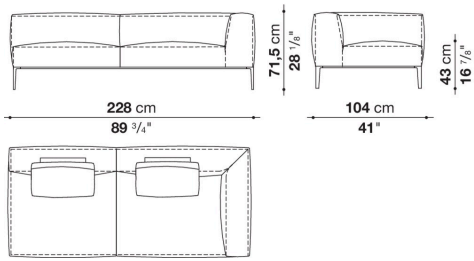
**9MF206**



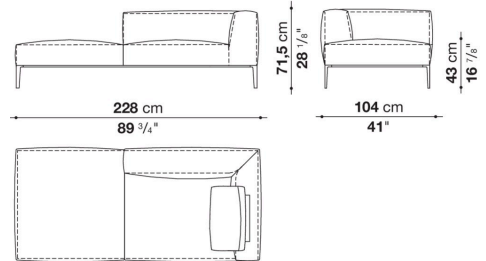
**MF231TS**



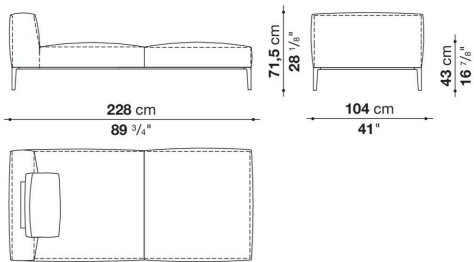
**MF231TD**



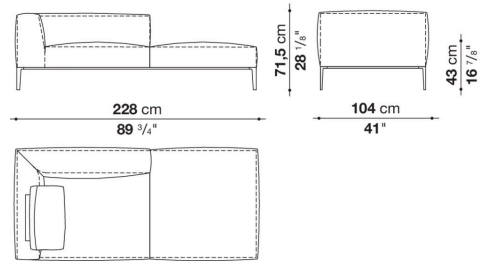
**MF231CHS**



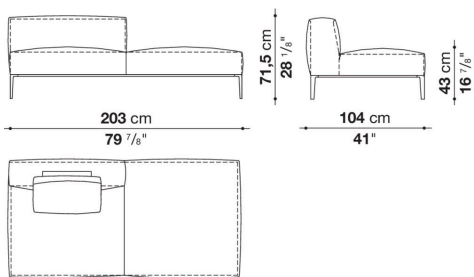
**MF231CH**



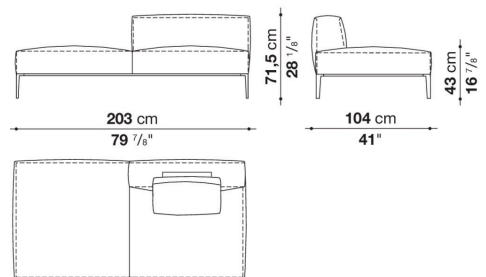
**MF231CHD**



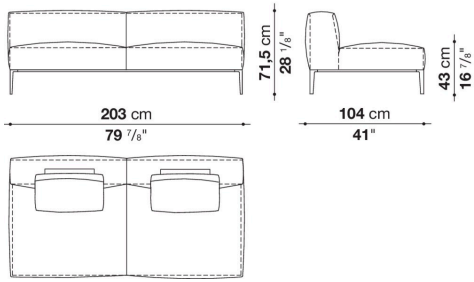
**MF206PS**



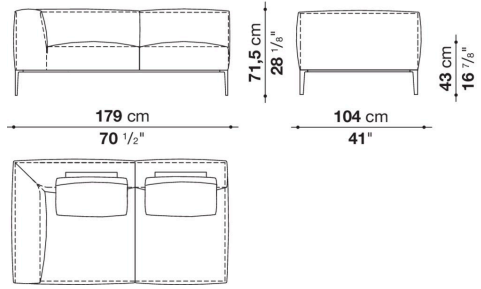
**MF206PD**



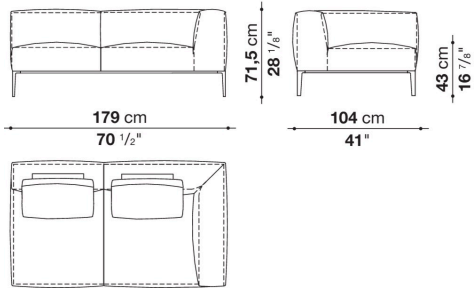
**MF206P2**



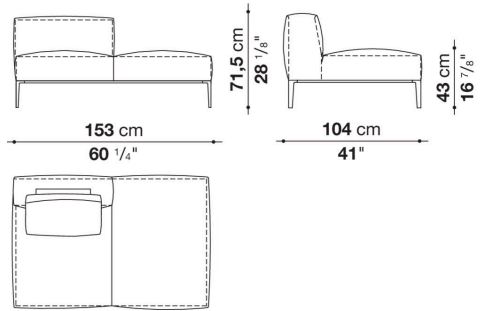
**MF182TS**



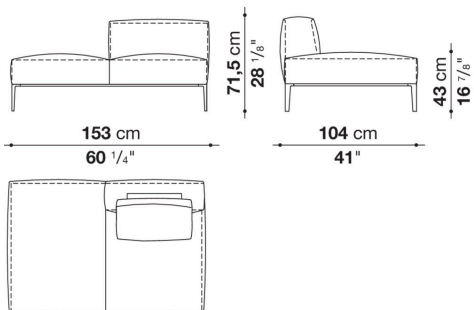
**MF182TD**



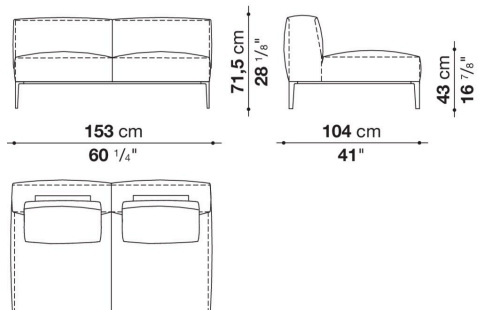
**MF156PS**



**MF156PD**

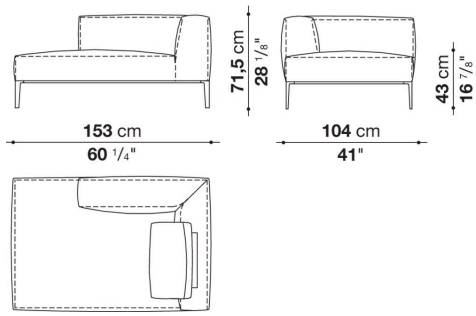


**MF156P2**

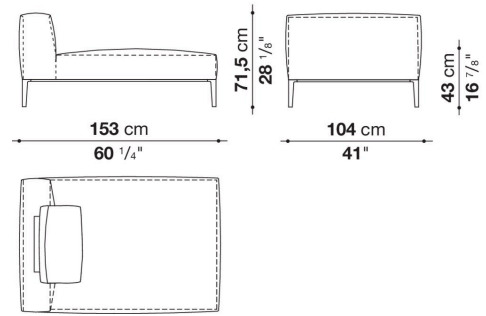




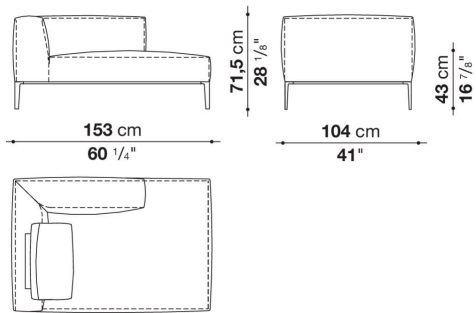
**MF156CHS**



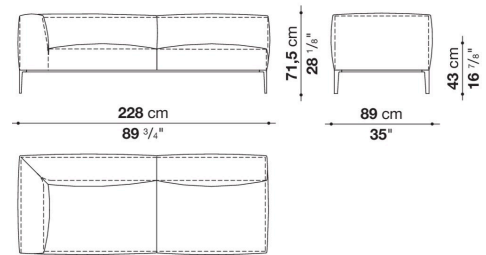
**MF156CH**



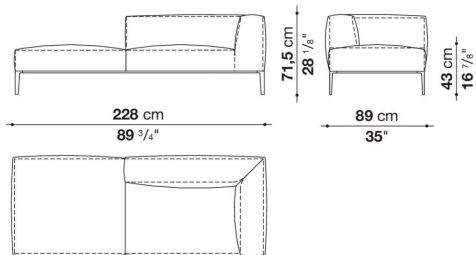
**MF156CHD**



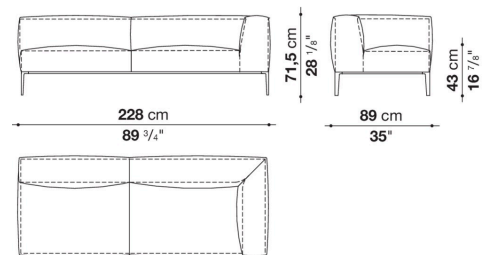
**9MF231TS**



**9MF231CHS**



**9MF231TD**



**9MF231CHD**

