

# Siena

BEDS

2007

Naoto Fukasawa



## Description

---

From the very first glance the Siena bed's airy image is striking with the projecting base that defines the entire perimeter of the bed and which, at the back, becomes a convenient surface to place books and accessories. The backrest is inclined to offer an ideal relaxing position. Impressive from behind, it can even be placed at the centre of the room.

## Technical information

---

**Internal frame**

tubular steel and steel profiles

**Internal frame upholstery**

Bayfit® flexible cold shaped polyurethane foam, polyester fibre cover

**Base-frame**

tubular steel

**Wheels support frame**

steel

**Slatted base**

tubular steel and wood multi-layered slats

**Ferrules**

thermoplastic material

**Wheels**

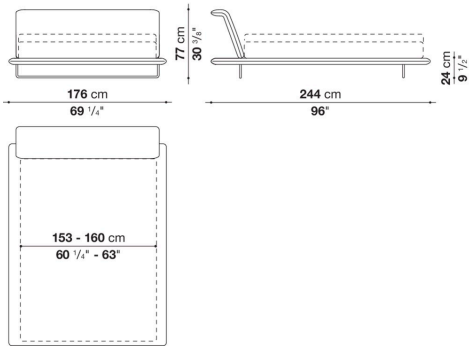
plastic material

**Cover**

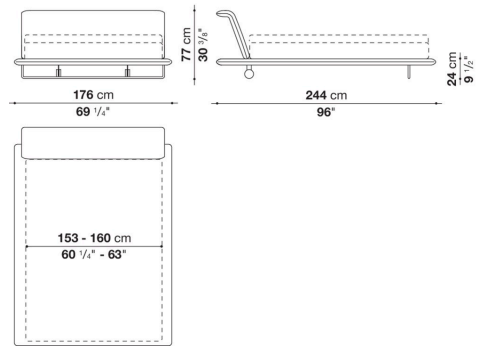
fabric or leather

# Technical drawings

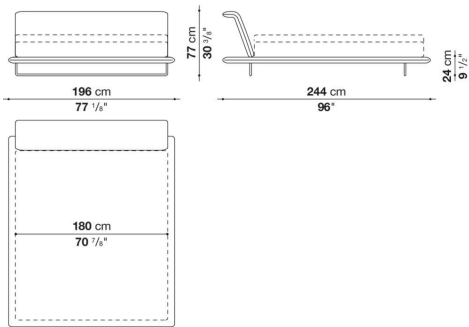
LSI176



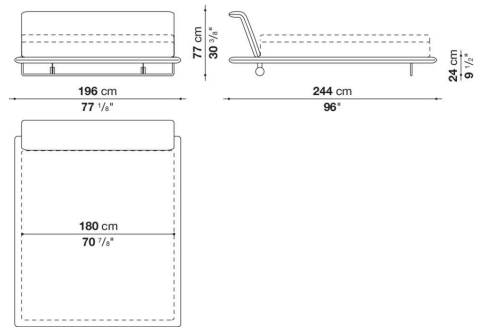
LSI176W



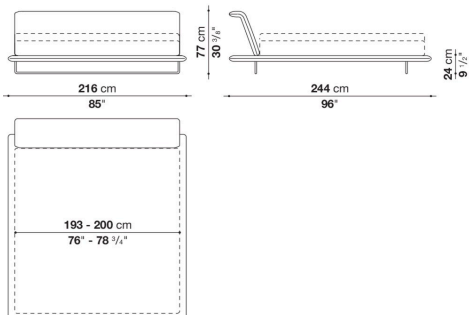
LSI196



LSI196W



LSI216



LSI216W

