

# Saké

BEDS

2017

Piero Lissoni



## Description

---

Saké is a strongly contemporary sofa bed that stands out for its absolute formal balance. The only sofa bed in the B&B Italia collection, it features the same seating and back elements as the system of sofas of the same name. By simply translating the seat and tilting the backrest, it transforms easily from a sofa into a bed. Upholstered either in fabric or in leather, it is available in three versions: with a right-hand armrest, with a left-hand armrest and with two armrests. The support base is made of crosspieces with rounded steel feet connected to each other by a bar.

## Technical information

---

**Internal frame**

multi-layered wood panel

**Seat and back upholstery**

shaped polyurethane of different density, polyester fibre cover

**Back cushion (SK90C)**

combination of polyester fibre and visco-elastic polyurethane, polyester fibre cover, box style typology

**Support frame**

steel

**Ferrules**

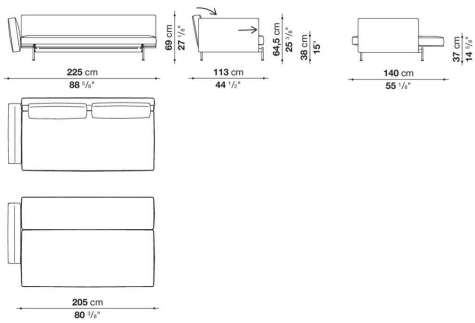
thermoplastic material

**Cover**

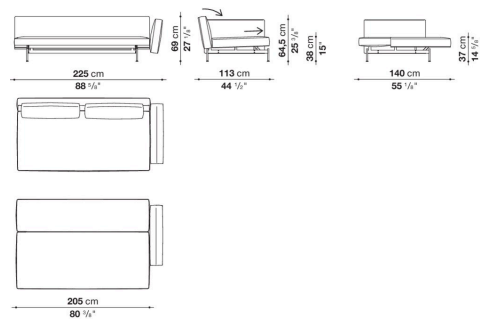
fabric or leather

# Technical drawings

LSK223S



LSK223D



LSK245

