

# Édouard

ARMCHAIRS

2016

Antonio Citterio



## Description

---

Striking and functional, the Édouard armchairs, along with the sofas of the same name, are designed to furnish relaxing lounge areas, adapting to the space and to personal taste. Available with a high or low backrest, they stand out for their rigorous yet soft frames ensuring utmost comfort. Covers produced in a broad range of fabrics and leather are customised with seams in relief that define the frames with an impressive graphic effect.

## Technical information

---

**Internal frame**

tubular steel and steel profiles

**Back and armrest internal frame upholstery**

Bayfit® flexible cold shaped polyurethane foam, polyester fibre

**Seat cushion upholstery**

shaped polyurethane of different density

**Feet**

aluminium

**Ferrules**

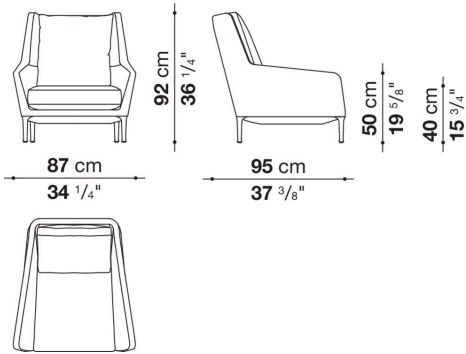
thermoplastic material

**Cover**

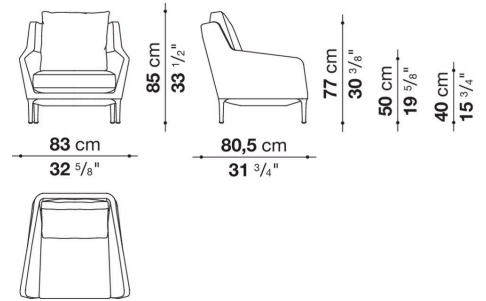
fabric or leather (raised stitching)

# Technical drawings

**ED87A\_V**



**ED83\_V**



**ED78P\_V**

