

# Vol Au Vent

CHAIRS

2001

Mario Bellini



## Description

---

The Vol Au Vent chair, with its single-material leather or fabric upholstery, can be combined with the most diverse tables, whether modern or classic. Its lines are poised between tradition and contemporaneity, and its volumes between thickness and slenderness. The removable cover is padded with a single polyurethane mould available in two sizes.

The Vol Au Vent larger can be fitted with armrests.

## Technical information

---

**Internal frame**

tubular steel and steel profiles

**Internal frame upholstery**

Bayfit® flexible cold shaped polyurethane foam, polyester fibre cover

**Ferrules**

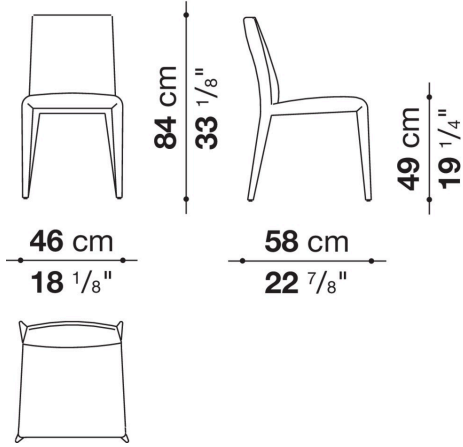
thermoplastic material

**Cover**

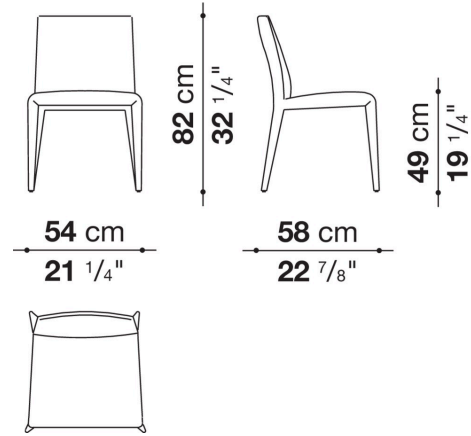
fabric or leather

# Technical drawings

## SV



## SVL



## SVB

