

Camaleonda

SOFAS

2020



Description

In its reissue, Camaleonda preserves the elements that have made it a contemporary classic. By mutual agreement, Mario Bellini and B&B Italia have decided to keep the cm 90x90 seat module, together with the backrest and the armrest, faithful to the original project, whose original cutting pattern was used for the new edition. The generous polyurethane padding that forms the characteristic capitonné design remains unchanged, still manufactured with the innovative system of cables, hooks and rings created by Bellini in 1970, which defines the characteristic look and modularity. Thanks to the tie-rods and the rings, in fact, the modules can be unhooked and recombined at will, allowing the sofa to adapt to an evolving taste and the dynamic needs of those using it. The fundamental characteristic of Camaleonda is its unlimited modularity, a geometric pattern that allows each element to become a sort of enormous pixel through which to define your home environment. By hooking and unhooking seats, backrests and armrests, you can enjoy the luxury of changing your mind as many times as you desire, moving and redesigning the space. A concept which is dear to Mario Bellini: "Of all the objects I have designed, Camaleonda is perhaps the best in terms of its sense of freedom. There are infinite number of possible configurations." The padding has been thoroughly updated by the B&B Italia's Research & Development Centre, making it even more comfortable than the original version. Thus the magical balance between the rigorous geometry of the square and the welcoming roundness of the padding is confirmed, further underlining the elasticity and tactile ergonomics that characterize many of Mario Bellini's design projects. Camaleonda can be covered with B&B Italia's entire textile and leather collection, allowing for another variable in the multitude of possible combinations. Camaleonda is a dynamic, alive and sincere object, not at all enigmatic, that allows for an infinite number of configurations while still maintaining its peculiar and unique identity.

Technical information

Base-frame

MDF NAF wood fibre (without formaldehyde)

Seat upholstery

shaped polyurethane of different density, cover in polyethylene terephthalate and nylon, with studs in nylon

Back upholstery

shaped polyurethane, polyurethane foam, cover in polyethylene terephthalate and nylon

Armrest upholstery

polyurethane foam, cover in polyethylene terephthalate and nylon

Rings

chromed brass

Clip

stainless steel

Rope

nylon

Rope holder cap

plastic material

Joining elements

plastic material

Feet

solid beechwood

Ferrules

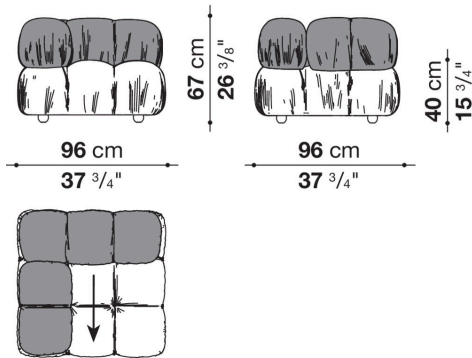
plastic material

Cover

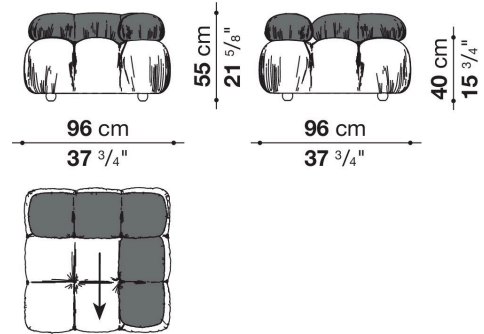
fabric or leather with metal studs

Technical drawings

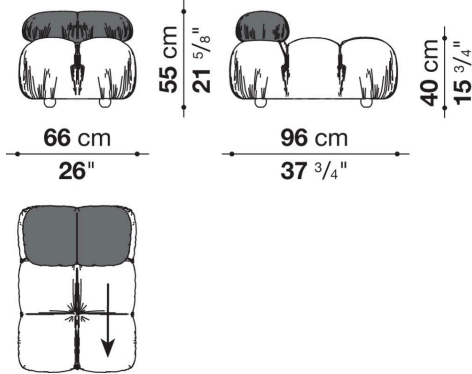
CM96AS



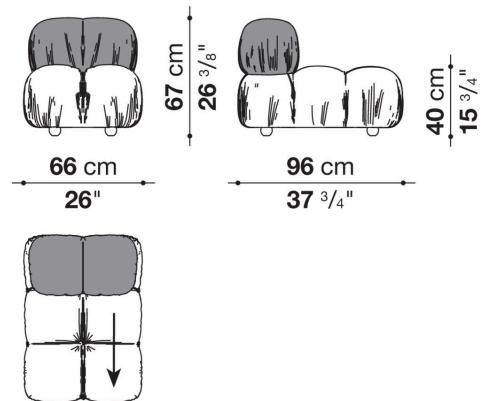
CM96B_AD



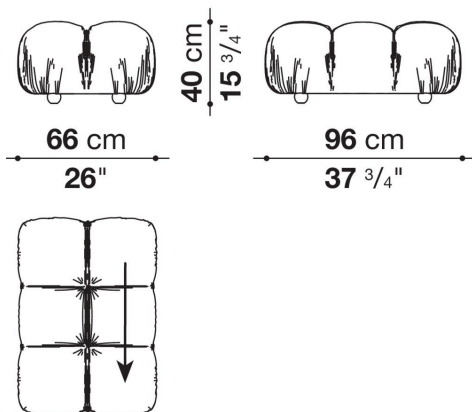
CM66B_C



CM66C



CM66P



CM96AD

