

# Mirto Indoor

COMPLEMENTS

2016

Antonio Citterio



## Description

---

The console of the Mirto Indoor series stands out for its austere design, reduced thicknesses, precise details and a wide range of materials and finishes. The tops come in several versions: glass, marble, different coloured woods that match the painted die-cast aluminium frame.

## Technical information

---

**Frame**

die-cast aluminium and aluminium extrusions

**Top**

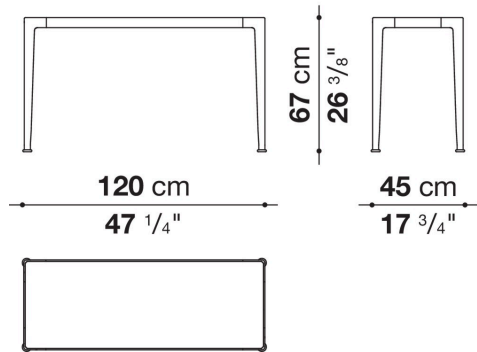
veneered MDF wood fibre panel, glass or marble (matt polyester finish or glossy polyester finish)

**Ferrules**

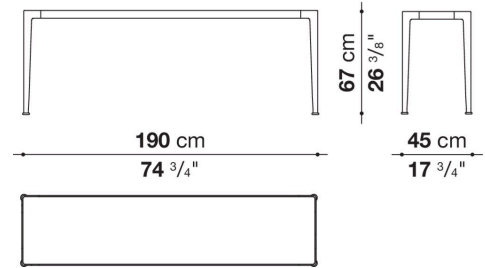
thermoplastic elastomer

# Technical drawings

## IMT120\_6



## IMT190\_6



## IMT240\_6

