

# Bay

SOFAS

2018

Nipa Doshi & Jonathan Levien



## Description

---

The Bay two- or three-seater outdoor sofa stands out for its sculptural, monolithic design. Enveloping double-braided volumes create air pockets that grant transparency and lightness to the collection, while padded rock-like seats and soft cushions reflect the elegance, comfort and refinement of indoor products.

## Technical information

---

**Internal frame**

tubular steel and steel profiles

**Back frame**

aluminium

**Upholstery**

Bayfit® flexible cold shaped polyurethane foam, water repellent polyester fibre cover (with heat-sealed ribbon)

**Back cushion**

Solotex fibre and visco-elastic polyurethane combination, cover in water repellent polyester fibre

**Interlacing**

polypropylene fibre braid

**Feet and ferrules**

thermoplastic material

**Waterproof cover cloth**

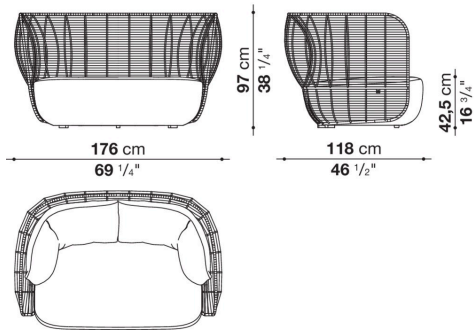
PES fabric coated on one side in PU

**Cover**

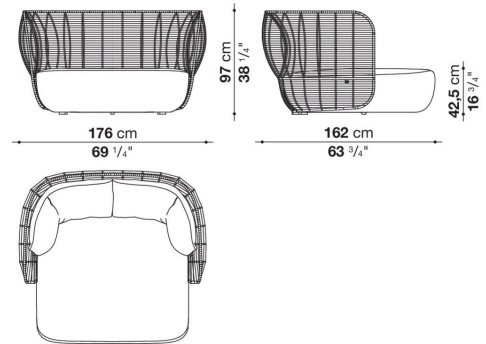
fabric in limited categories

# Technical drawings

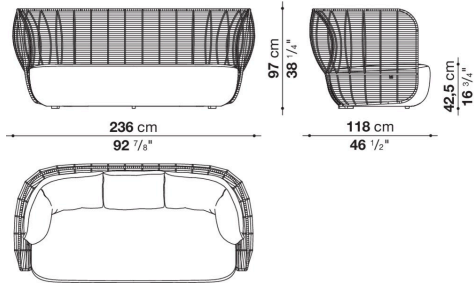
**BY176**



**BY176CL**



**BY236**



**BY74PQ**

