
Eucalipto

LIVING STORAGE UNITS

2017

Antonio Citterio



Description

Eucalipto is a series of units designed for the living room, dining room or wherever a special focus is required. Eucalipto enriches B&B Italia's collection with a sophisticated touch suggesting original glamorous combinations. For the carcass acrylic finish that develops in three variants with different combinations for doors and drawers.

Technical information

External and internal frame

MDF and wood particles panels with continuing cover in glossy acrylic resin

Door and drawer front

MDF wood fibre panels with mirror, glass or wood veneered

Flap door compartment internal frame (EU4-EU5)

reflective material

Drawer frame

MDF wood fibre panel and bottom base in wood particles with melamine faced cover

Open compartment (EU15-EU25)

veneered MDF wood fibre panels

Support frame

metallic profile with legs in die-cast aluminium

Handle

die-cast aluminium

Adjustable feet

thermoplastic material

Internal shelf

glass

Extractable tray

aluminium profiles and bottom base in wood particles with melamine faced cover

Cable flap

aluminium

LED lamp (EUL9-EUL12)

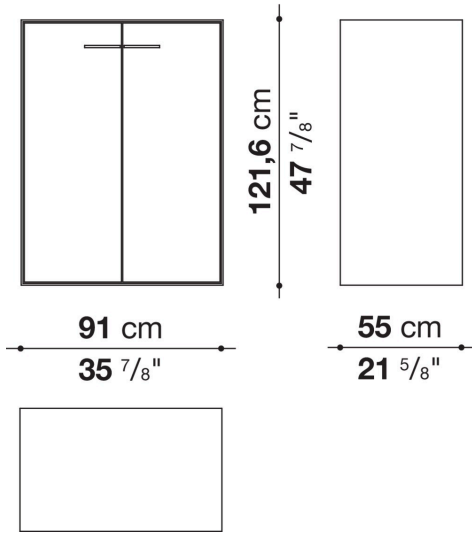
version EU (CEE) 220-240V 50Hz

version U.K. (UK) 220-240V 50Hz

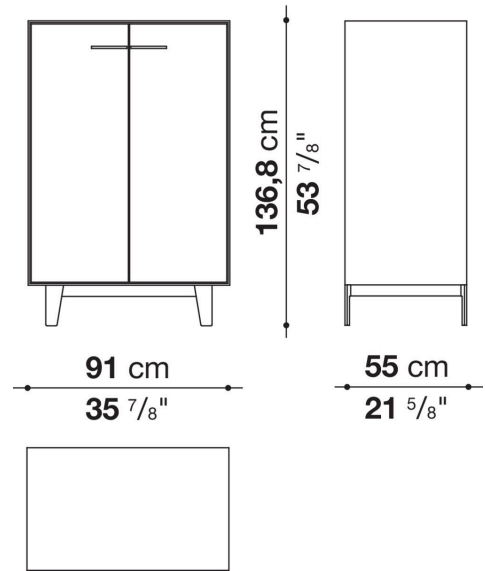
version U.S.A. (UL) 110-120V 50Hz

Technical drawings

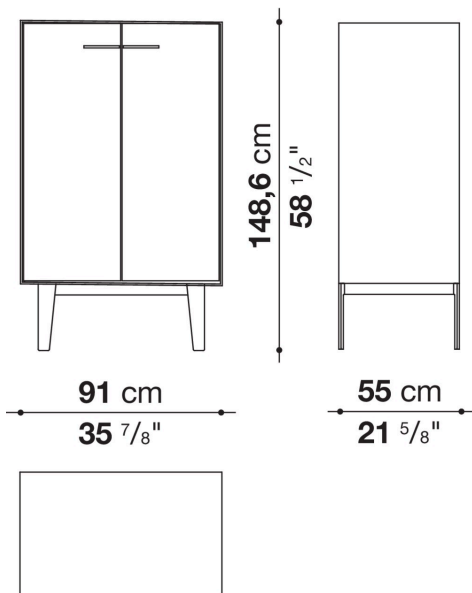
EU1



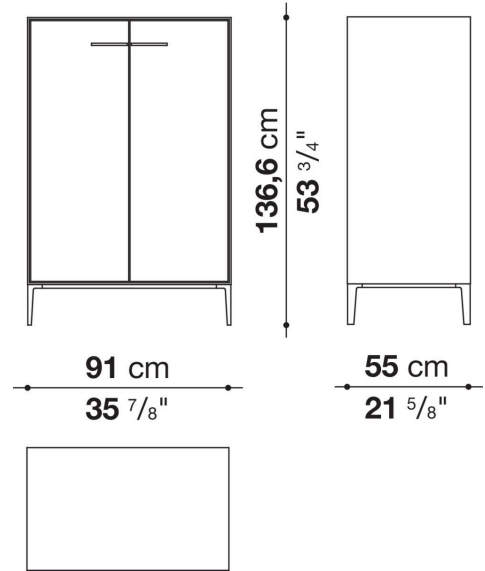
EU1B



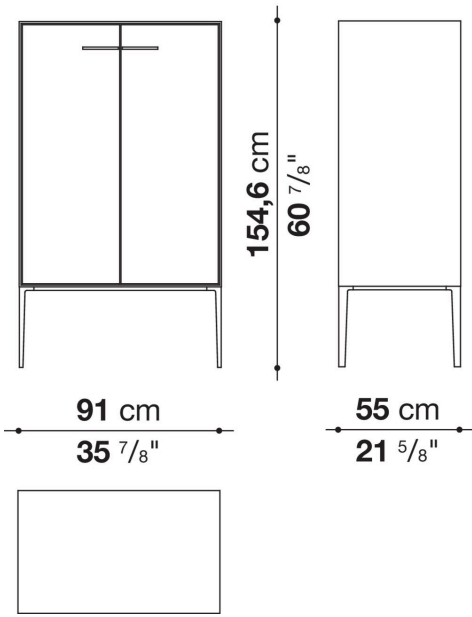
EU1A



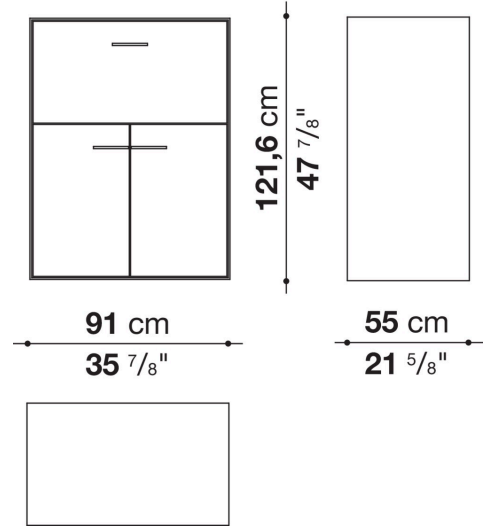
EU1C



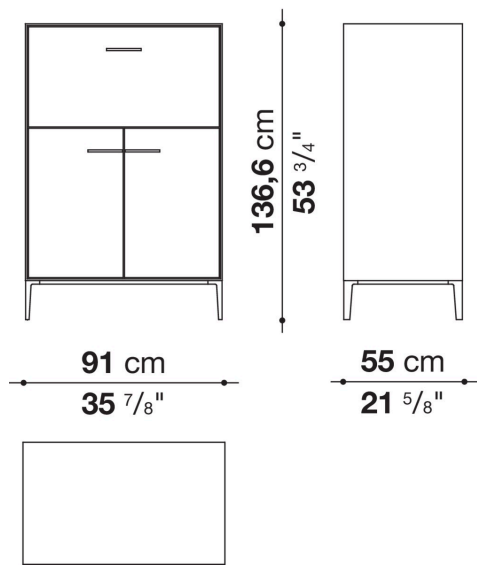
EU1D



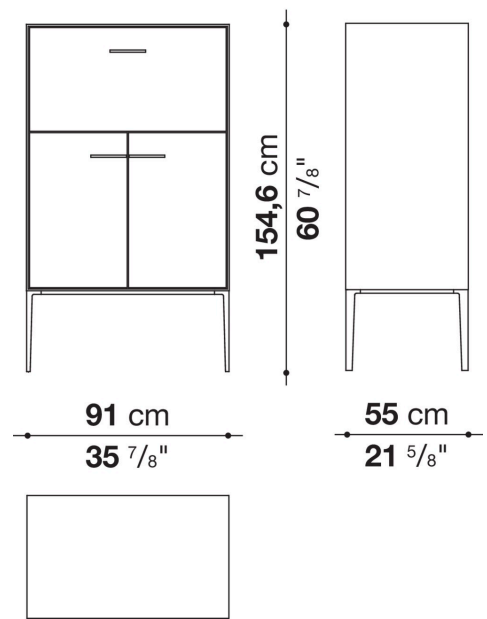
EU4



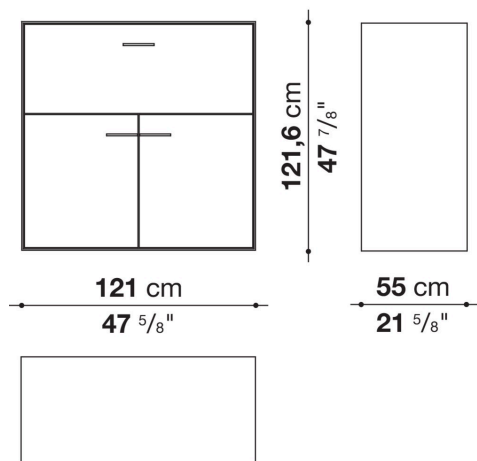
EU4C



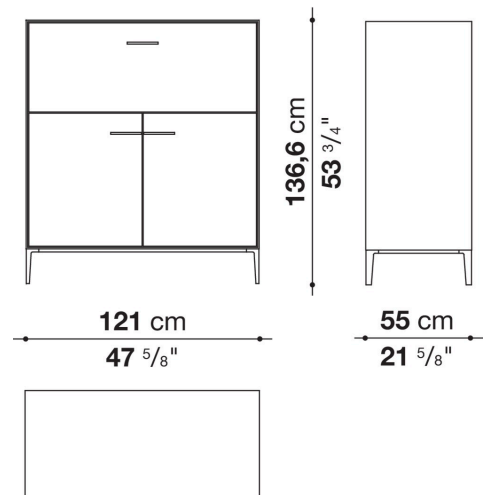
EU4D



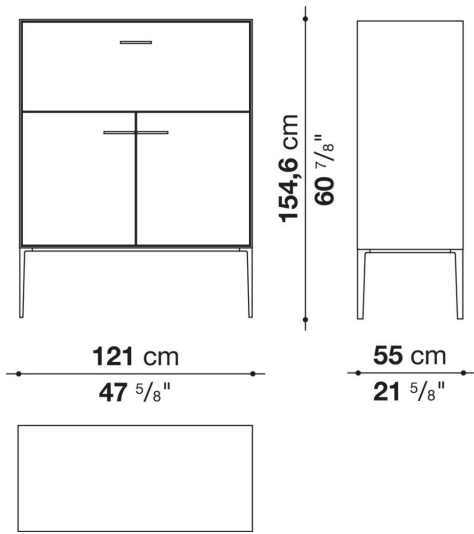
EU5



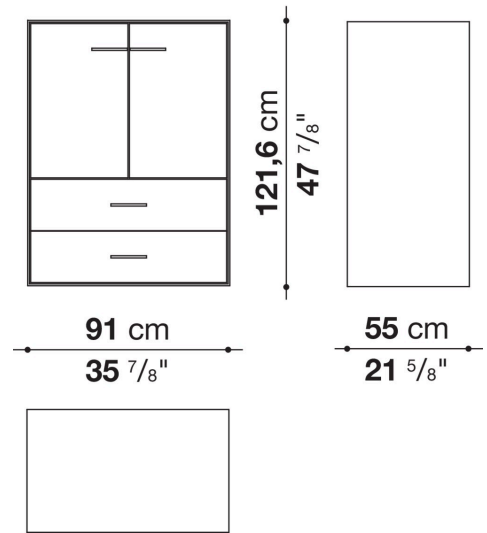
EU5C



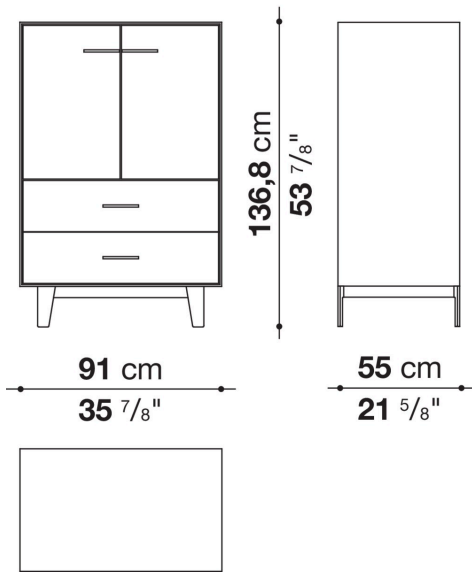
EU5D



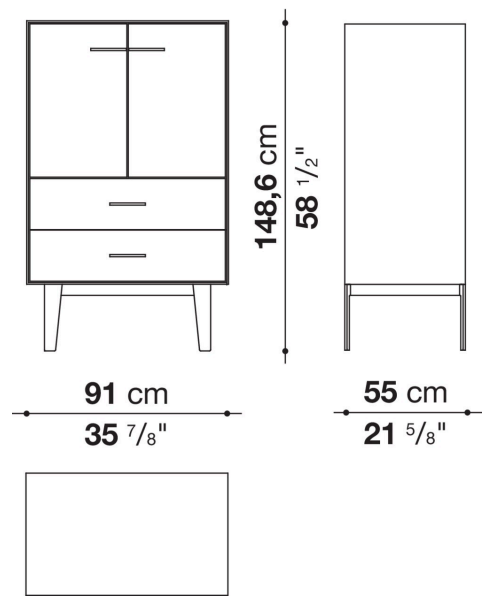
EU2



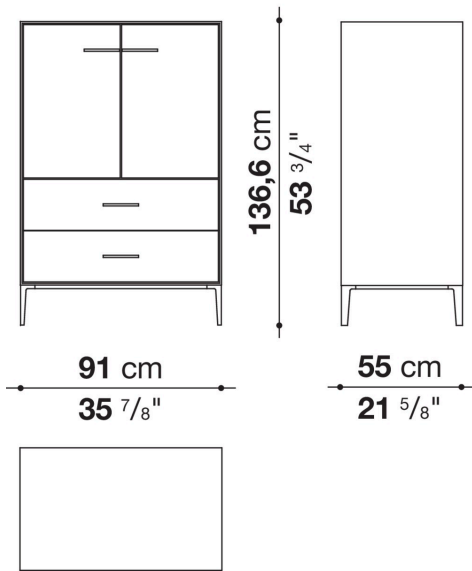
EU2B



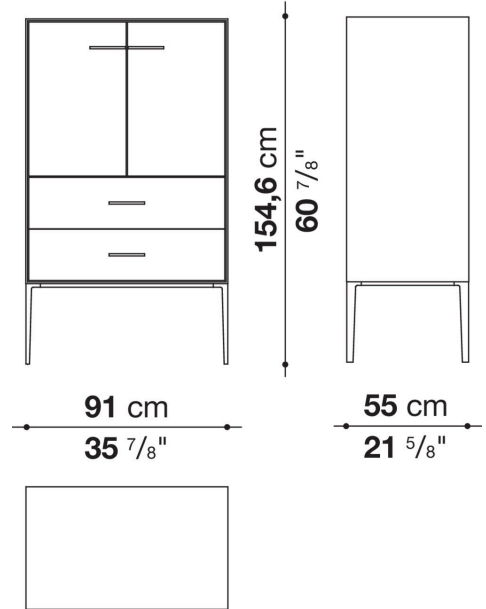
EU2A



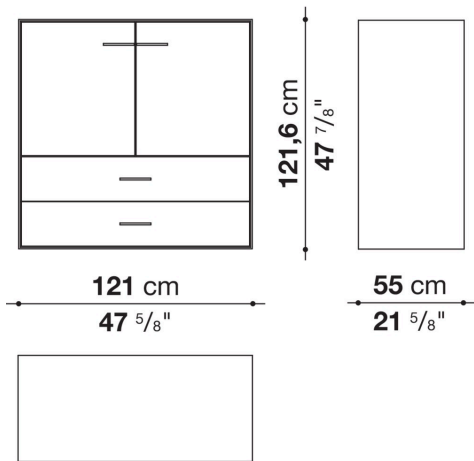
EU2C



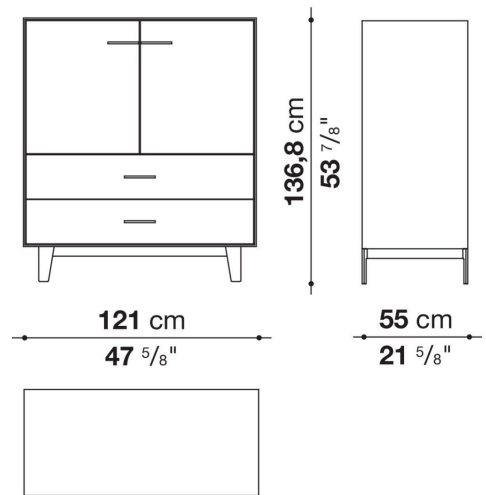
EU2D



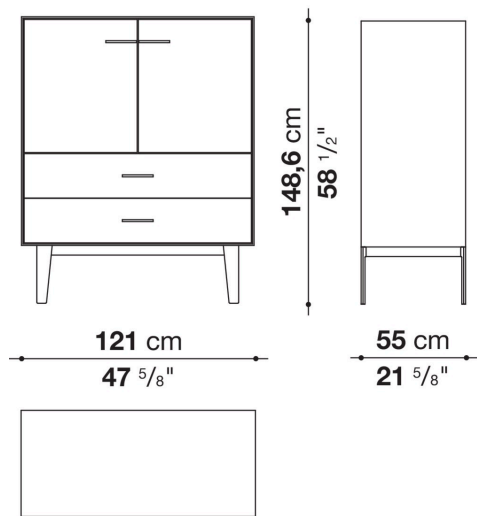
EU3



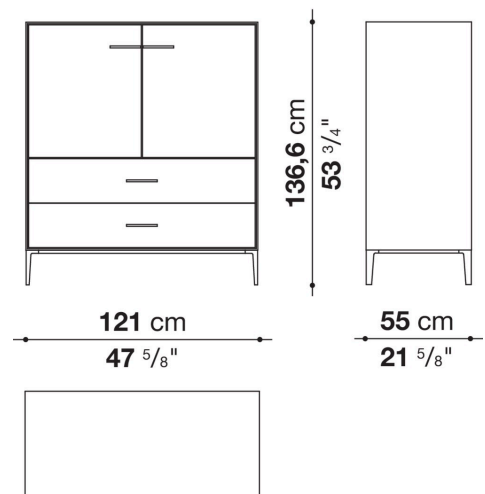
EU3B



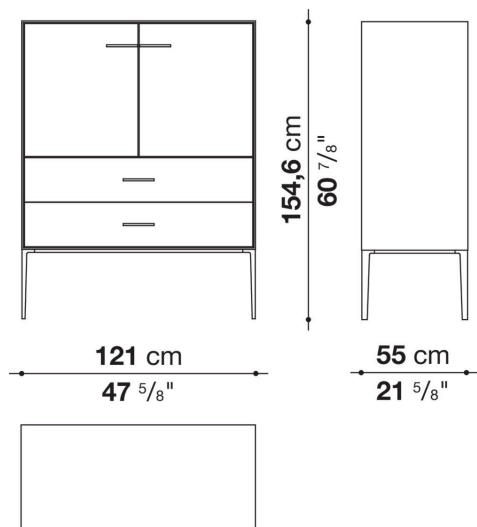
EU3A



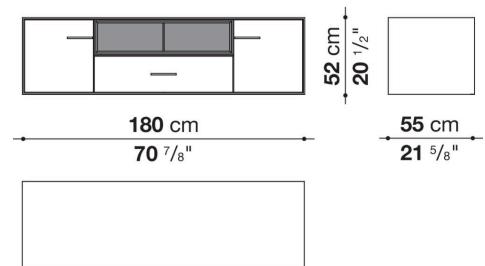
EU3C



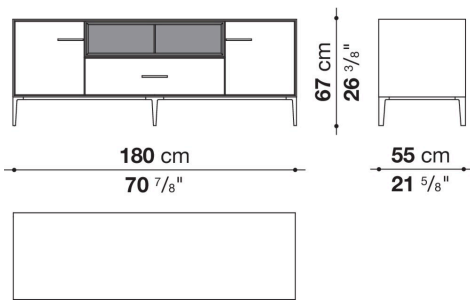
EU3D



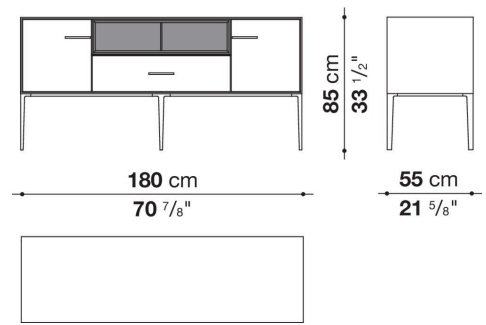
EU15



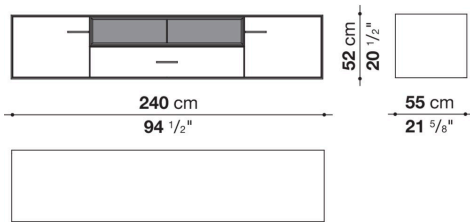
EU15C



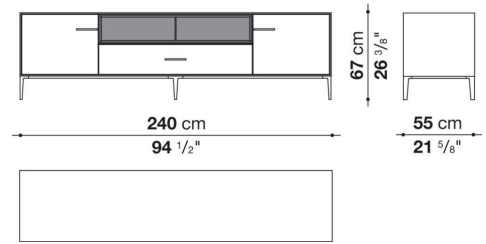
EU15D



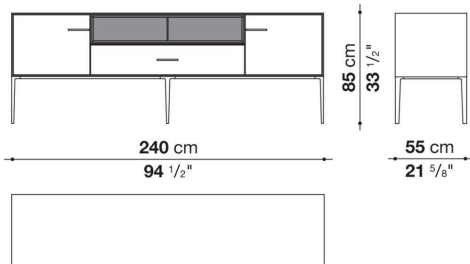
EU25



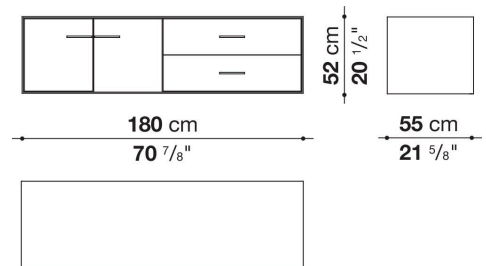
EU25C



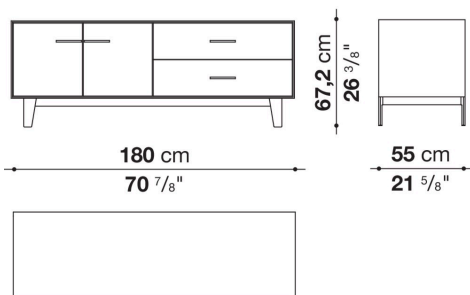
EU25D



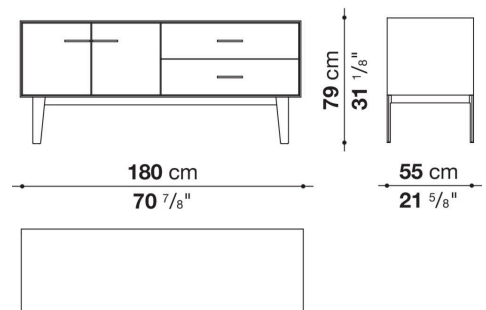
EU12S



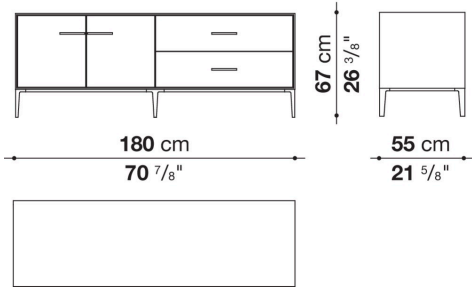
EU12BS



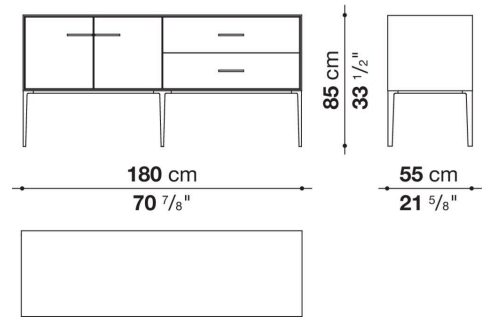
EU12AS



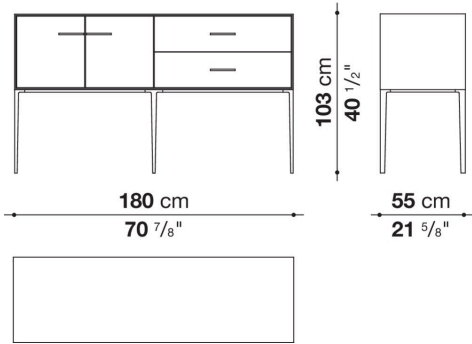
EU12SC



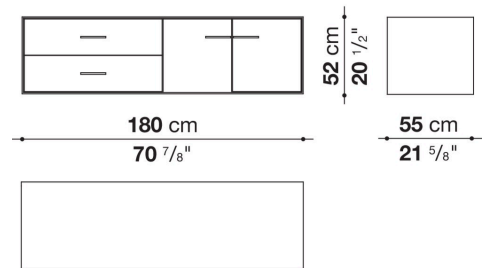
EU12SD



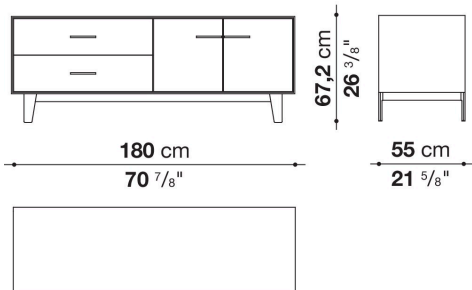
EU12SE



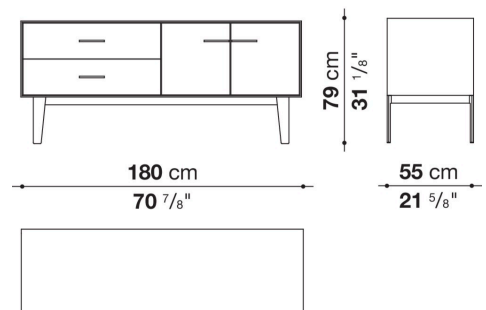
EU12D



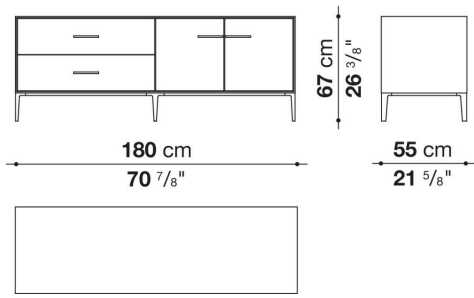
EU12BD



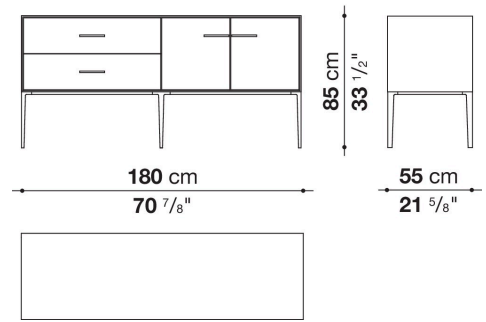
EU12AD



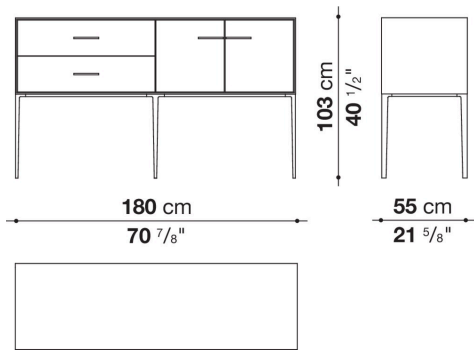
EU12DC



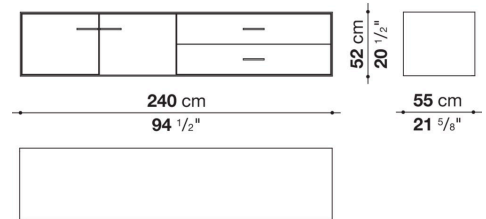
EU12DD



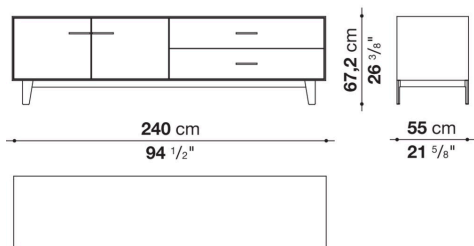
EU12DE



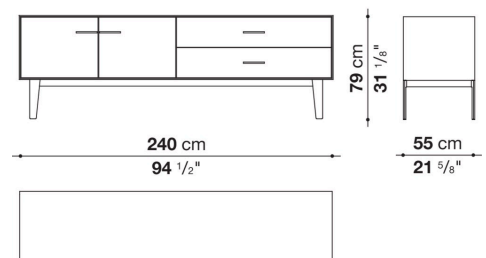
EU22S



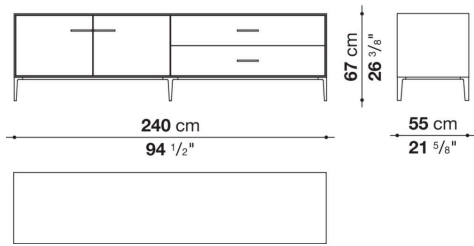
EU22BS



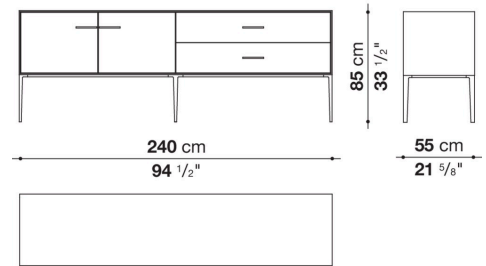
EU22AS



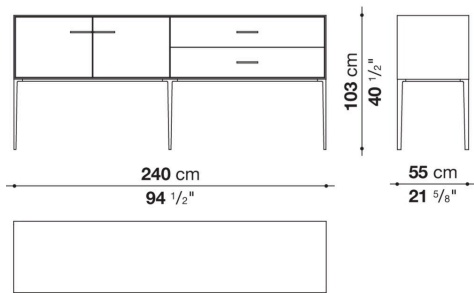
EU22SC



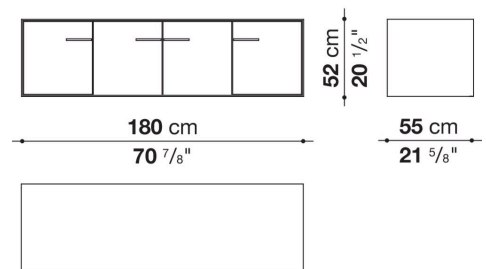
EU22SD



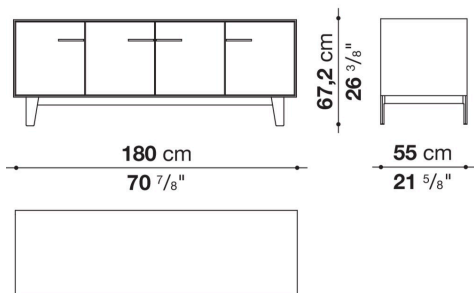
EU22SE



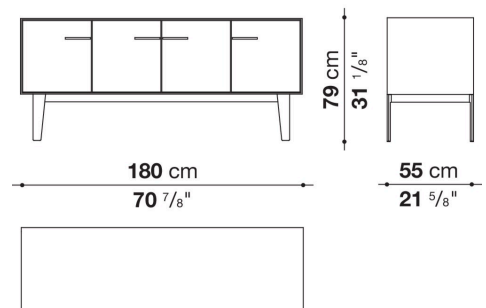
EU11



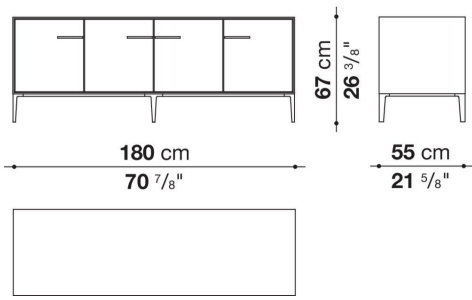
EU11B



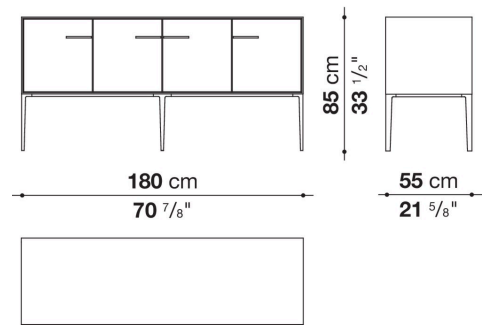
EU11A



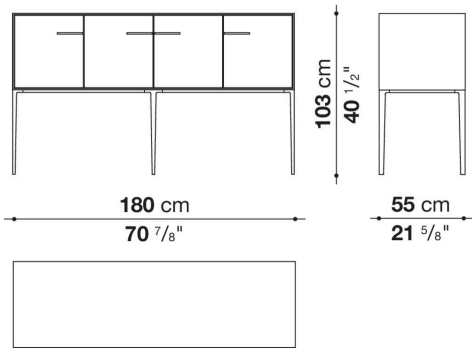
EU11C



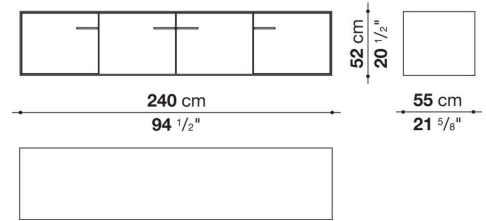
EU11D



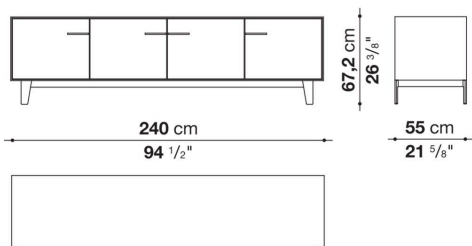
EU11E



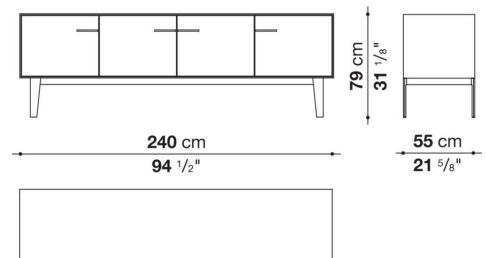
EU21



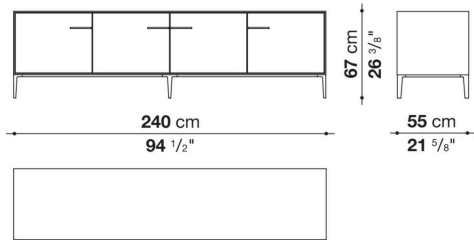
EU21B



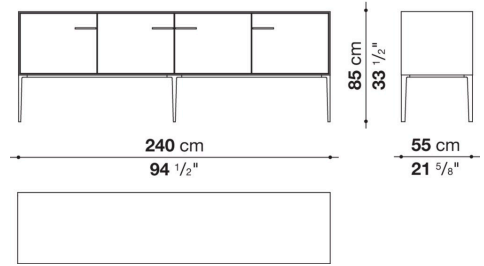
EU21A



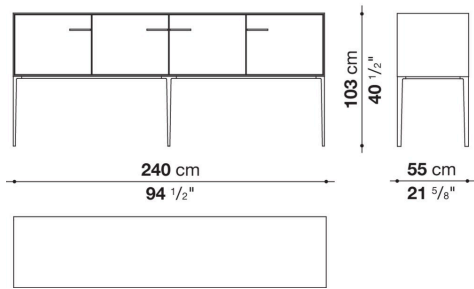
EU21C



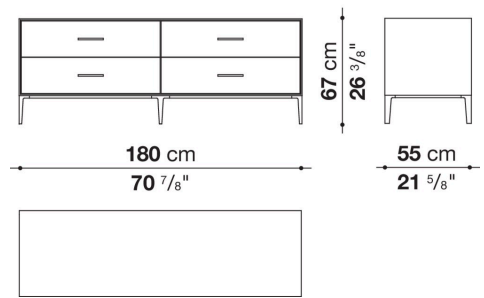
EU21D



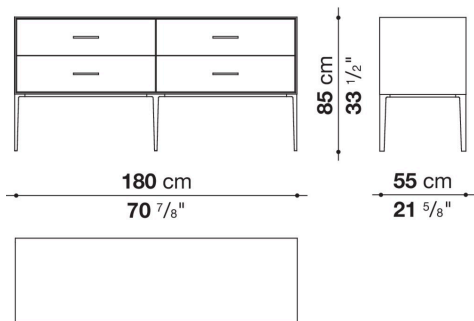
EU21E



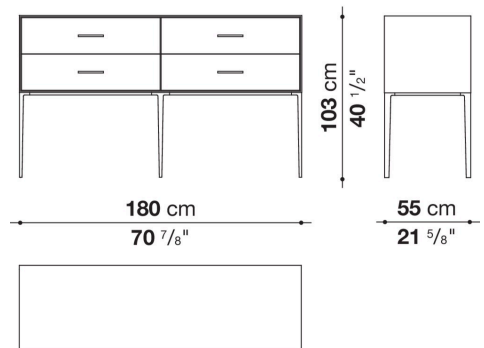
EU13C



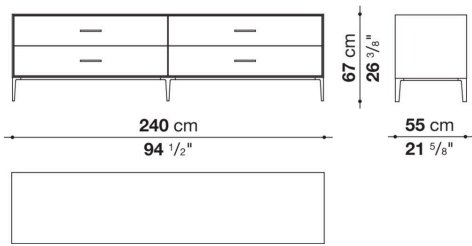
EU13D



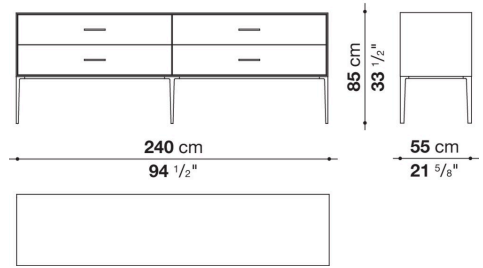
EU13E



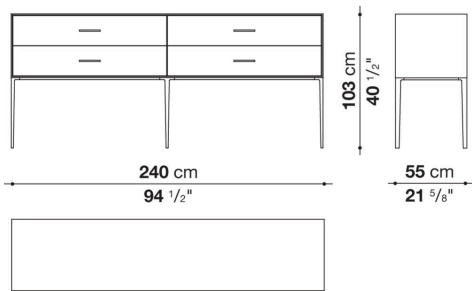
EU23C



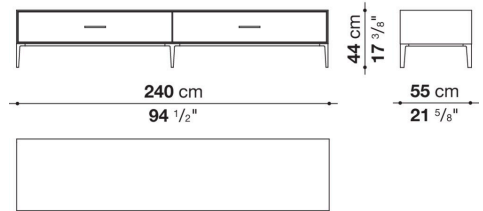
EU23D



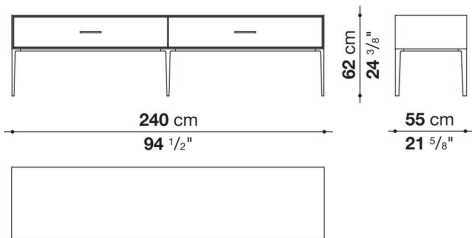
EU23E



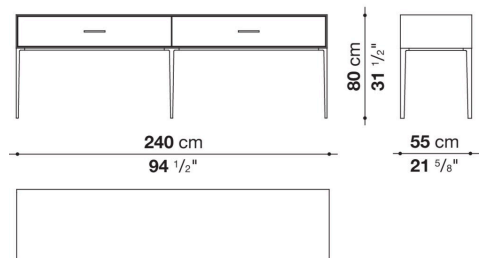
EU24C



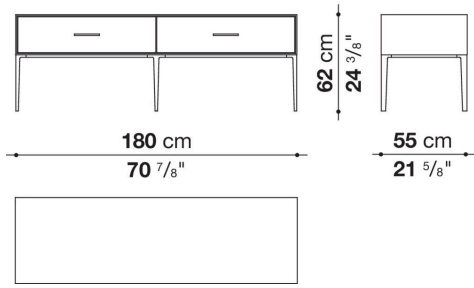
EU24D



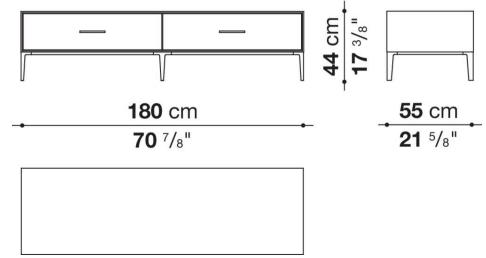
EU24E



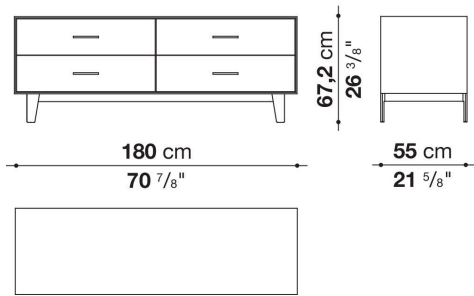
EU14D



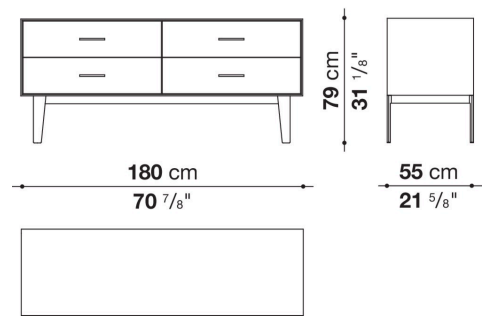
EU14C



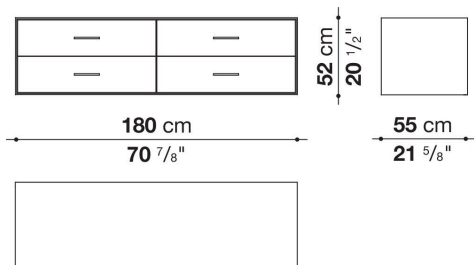
EU13B



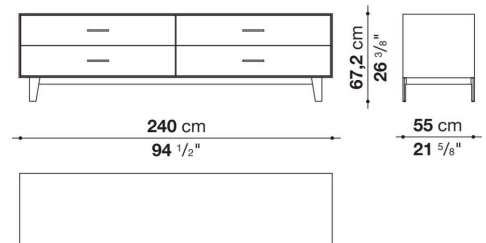
EU13A



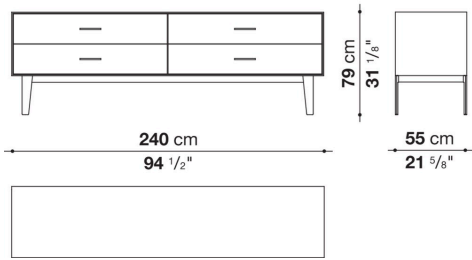
EU13



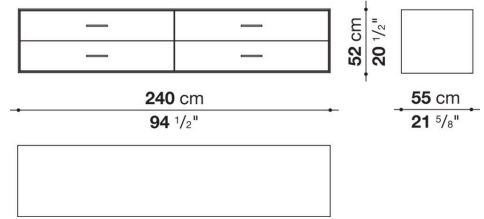
EU23B



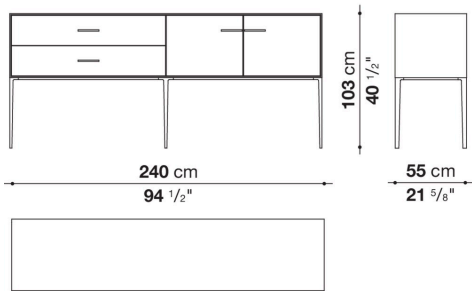
EU23A



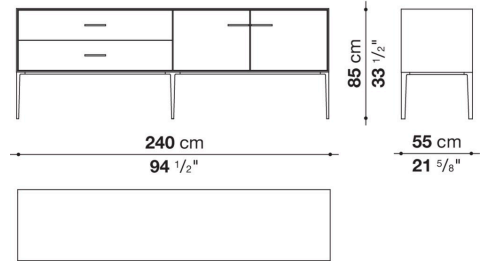
EU23



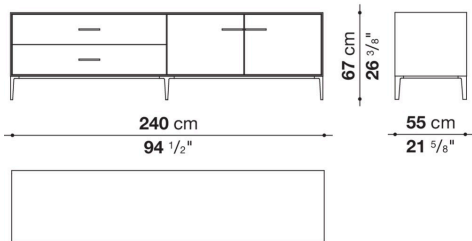
EU22DE



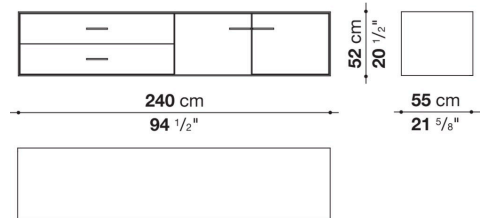
EU22DD



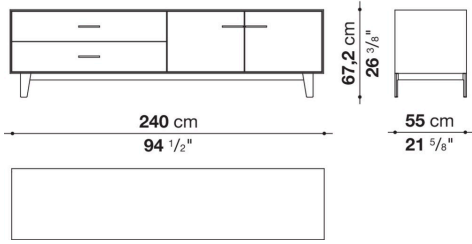
EU22DC



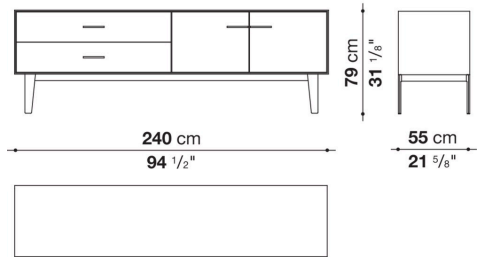
EU22D



EU22BD



EU22AD



EU14E

